



Zoning Resolution

THE CITY OF NEW YORK

Eric Adams, Mayor

CITY PLANNING COMMISSION

Daniel R. Garodnick, Chair

62-343 - Height and setback regulations in other medium- and high-density districts

File generated by <https://zr.planning.nyc.gov> on 4/17/2025

62-343 - Height and setback regulations in other medium- and high-density districts

LAST AMENDED

12/5/2024

R6 R7 R8 R9 R10 R11 R12

C1-6 C1-7 C1-8 C1-9 C2-6 C2-7 C2-8 C4-2 C4-3 C4-4 C4-5 C4-6 C4-7 C4-8 C4-9 C4-11 C4-12 C5 C6 C7 C8-2 C8-3 C8-4

M1-2 M1-3 M1-4 M1-5 M1-6 M2 M3

In the districts indicated, and for those not otherwise governed by the provisions of Sections [62-341](#) (Height and setback regulations in lower density districts) or [62-342](#) (Height and setback regulations in medium- and high-density districts with a letter suffix), the underlying height and setback regulations are applicable for all #developments# on portions of a #zoning lot# landward of the #shoreline# or on #platforms#, except as modified by the provisions of this Section.

(a) Modified base height and #building# heights

For all #buildings#, the base heights, transition heights, and #building# heights for #buildings# on #waterfront blocks# shall be as set forth in the following table. Additional regulations are set forth in paragraph (b) for #buildings# containing #residences# and in paragraph (c) for all other #buildings#. For all #buildings#, tower regulations are set forth in paragraph (d).

MAXIMUM BASE HEIGHT, TRANSITION HEIGHTS,

AND MAXIMUM BUILDING HEIGHT - FOR NON-CONTEXTUAL DISTRICTS

District	Maximum Base Height (in feet)	Transition Zone		Maximum Height of #Buildings or other Structures# (in feet)
		Maximum Transition Height Tier 1 (in feet)	Maximum Transition Height Tier 2 (in feet)	
R6-2 C1 or C2 mapped within R6-2	55	75	95	195

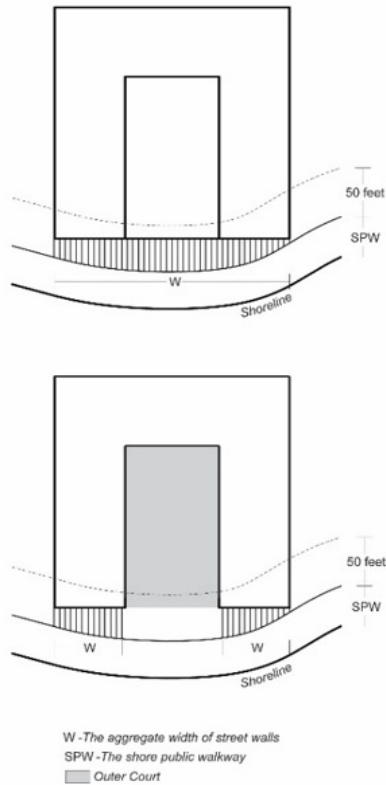
R6 R6-1	65	95	125	255
C1 or C2 mapped within R6 or R6-1				
C7-1				
C8-2 C8-3				
M1-2 M1-4 M2-1 M2-3 M3				
R7-1 R7-2	85	115	155	315
C1 or C2 mapped within R7-1 or R7-2				
C7-2 C7-3				
R7-3	95	145	185	375
C1 or C2 mapped within R7-3				
C7-3 C8-4				
M1-3 M1-5 M2-2 M2-4				
R8	105	145	215	435
C1 or C2 mapped within R8				
C4-8				
C6-1 C6-2				
R9	135	185	285	N/A
C1 or C2 mapped within, or with a #residential equivalent# of an R9				
C4-9 C6-3				
C7-5 C7-6				

R9-1		155	215	315	N/A
C1 or C2	mapped within an R9-1				
R10		155	235	355	N/A
C1 or C2	mapped within, or with a #residential equivalent# of an R10				
C4-6	C4-7				
C5					
C6-4	C6-5 C6-6 C6-7 C6-8 C6-9				
C7-7					
M1-6					
R11		155	325	405	N/A
C1 or C2	mapped within R11				
C4-11					
C6-11					
C7-8					
R12		155	395	495	N/A
C1 or C2	mapped within R12				
C4-12					
C6-12					
C7-9					

(b) Additional regulations for #buildings# containing #residences#

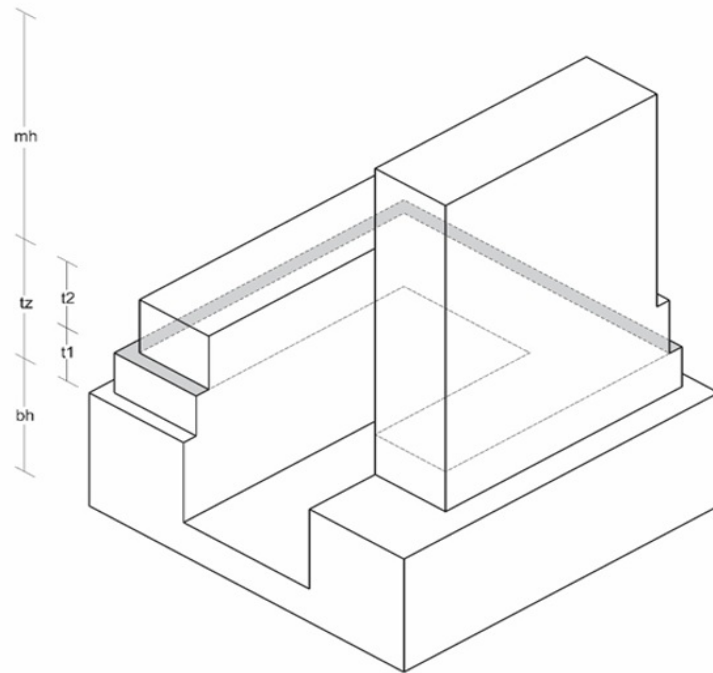
For #buildings# containing #residences#, the following shall apply:

- (1) for #street walls# not facing the #shore public walkway# or #supplemental public access areas#:
 - (i) the #street wall# location provisions of paragraph (b) of Section [23-431](#) shall apply, and such #street walls# shall extend to a minimum base of at least 35 feet, or the height of the #building#, whichever is less; and
 - (ii) at a height not lower than the minimum base height or higher than the maximum base height, setbacks shall be provided in accordance with the provisions of Section 23-433.
- (2) for portions of #buildings# facing the #shore public walkway# or #supplemental public access areas#:
 - (i) no #street wall# location provisions shall apply;
 - (ii) at a height not higher than the maximum base height, a setback, with a minimum depth of 30 feet shall be provided from the boundary of the #shore public walkway#. Wherever a #supplemental public access area# is provided as a widened #shore public walkway#, such widened area shall be included in the setback distance;
 - (iii) dormers shall be permitted in such setback, in accordance with Section [23-413](#), except that the depth of such dormer shall not exceed 15 feet;
 - (iv) where a #street wall# is located within 50 feet of the #shoreline#, the maximum base height shall not exceed a height of 85 feet; and
 - (v) an amount of #building# frontage equivalent to at least 25 percent of the #aggregate width of street walls# facing the #shore public walkway# shall either be provided as open area in an #outer court# or shall have a reduced base height that does not exceed two-thirds of the height of the permitted maximum base height;



AGGREGATE WIDTH OF STREET WALLS FACING THE SHORE PUBLIC WALKWAY (62-343b2)

- (3) along all frontages, after the required setback, #buildings# may rise to the maximum transition zone height set forth in the table, which consists of maximum Tier 1 and Tier 2 transition heights. Where the gross area of any #story# within the transition zone exceeds 10,000 square feet, exclusive of the square footage contained in any permitted dormers, one or more setbacks shall be provided at a height not higher than the maximum Tier 1 transition height. Such setbacks may be of any depth, but shall reduce the gross area of #stories# such that the highest gross area of any #story# in the Tier 2 transition zone is at least 10 percent less than that of the highest gross area of any #story# in the Tier 1 transition zone; and



mh - Maximum Height of #Buildings of other Structures#
tz - Transition Zone
t1 - Maximum Transition Height Tier 1
t2 - Maximum Transition Height Tier 2
bh - Maximum Base Height
■ Uppermost Story within Tier 1
⋯ Lowest Story within Tier 2

TRANSITION HEIGHTS SETBACK AREA (62-343b3)

(4) any portion of a #building# that exceeds the maximum transition height shall be considered a tower and shall be subject to the provisions of paragraph (d) of this Section.

(c) Additional regulations for other #buildings#

For #buildings# that do not contain #residences#, the following shall apply:

(1) Above the maximum base height, a #building# shall be set back at least:

- (i) 15 feet from a #narrow# #street line#;
- (ii) 10 feet from a #wide# #street line#; or
- (iii) 30 feet from the boundary of a #shore public walkway#. Wherever a #supplemental public access area# is provided as a widened #shore public walkway#, such widened area shall be included in the setback distance.

Dormers provided in accordance with paragraph (b) of Section [23-413](#) shall be permitted within any setback area, provided that the depth of encroachment of a dormer facing the #shore public walkway# shall not exceed 15 feet;

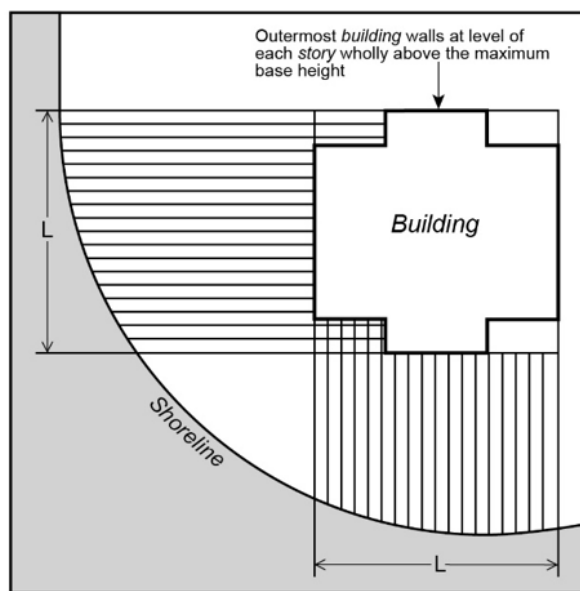
(2) after the required setback, #buildings# may rise to the maximum transition height;

(3) any portion of a #building# that exceeds the maximum transition height shall be considered a tower and subject to the provisions of paragraph (d) of this Section.

(d) Tower regulations

Any portion of a #building# that exceeds the maximum transition height shall be subject to the following tower provisions:

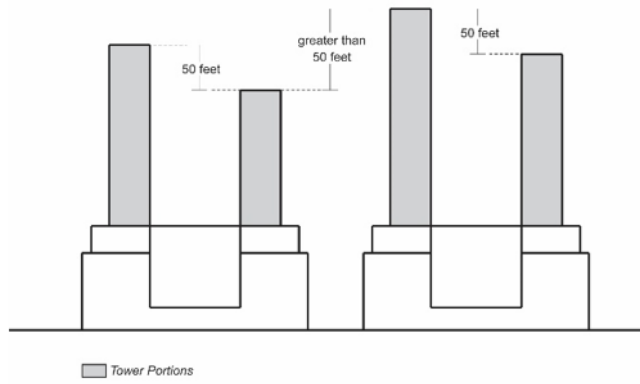
- (1) The maximum width of any #story# of a tower that faces a #shoreline# shall not exceed 100 feet. Such width shall be measured by inscribing within a rectangle the outermost walls at the level of each tower #story#. Any side of such rectangle from which perpendicular lines may be drawn to a #shoreline#, regardless of any intervening structures, properties or #streets#, shall not exceed 100 feet. However, such limitation may be modified as follows:
 - (i) where a tower faces two or more #shorelines#, such restriction shall apply only to one face, and the maximum length along other frontages shall not exceed 130 feet frontage (See illustration);
 - (ii) where the average depth of a #zoning lot# is less than 200 feet, the maximum width of a #story# shall not exceed 130 feet.



L - Maximum width of building wall (100 feet)

MAXIMUM WIDTH OF BUILDING WALL FACING SHORELINE (62-343b3)

- (2) for #residential# #stories# within a tower, the following shall apply:
 - (i) the tower footprint shall not exceed a gross area of 10,000 square feet, except that where the overall height of a tower exceeds two-thirds of the overall maximum permitted height set forth in the table, a portion of tower #stories# equivalent to at least one-third of the height of the #building#, excluding any penthouse provided as a permitted obstruction, shall have a footprint that does not exceed 8,500 square feet. Dormers need not be included in the calculation of such maximum gross area; and
 - (ii) where two or more towers are provided on a #zoning lot#, there shall be at least 50 feet in difference in height between any two immediately adjacent towers.



ADJACENT TOWER HEIGHT VARIATION (62-343d2)