



Zoning Resolution

THE CITY OF NEW YORK

Eric Adams, Mayor

CITY PLANNING COMMISSION

Daniel R. Garodnick, Chair

Chapter 4 - Bulk Regulations for Community Facilities in Residence Districts

File generated by <https://zr.planning.nyc.gov> on 1/31/2025

Chapter 4 - Bulk Regulations for Community Facilities in Residence Districts

24-00 - APPLICABILITY, GENERAL PURPOSES AND DEFINITIONS

LAST AMENDED
12/15/1961

24-01 - Applicability of This Chapter

LAST AMENDED
12/5/2024

The #bulk# regulations of this Chapter apply to any #zoning lot# or portion of a #zoning lot# located in any #Residence District# which contains any #community facility building#, or to the #community facility# portion of any #building# located in any #Residence District# which is used for both #residential# and #community facility# #uses#, except where specifically modified by the provisions of this Chapter.

The #bulk# regulations of Article II, Chapter 3, shall apply to any #zoning lot# or portion of a #zoning lot# in any #Residence District# which contains a #residential building#, or to the #residential# portion of any #building# located in any #Residence District# which is used for both #residential# and #community facility# #uses#, except where specifically modified by the provisions of this Chapter.

In addition, the #bulk# regulations of this Chapter, or of specified sections thereof, also apply in other provisions of this Resolution where they are incorporated by cross reference.

24-02 - Applicability in Special Situations

LAST AMENDED
12/5/2024

The conversion of non-#residential# #floor area# to #residences# shall be subject to the provisions of Article I, Chapter 5 (Residential Conversion Within Existing Buildings), unless such #conversions# meet the requirements for #residential# #developments# of Article II (Residence District Regulations).

Existing #buildings or other structures# that are #non-complying buildings or other structures# or existing #buildings# where an #enlargement#, #conversion#, #extension#, change of #use# or other alternation would create a #non-compliance# with the applicable #bulk# regulations are subject to the regulations set forth in Article V, Chapter 4.

Special regulations applying in certain areas are set forth in Article VI, inclusive.

Special permits that may be granted by the Board of Standards and Appeals are set forth in Article VII, Chapter 3. Special permits and authorizations that may be granted by the City Planning Commission are set forth in Article VII, Chapters 4 and 5, respectively.

Special regulations applying to #large-scale residential developments# or #large-scale community facility developments# are set forth in Article VII, Chapters 8 or 9, respectively. Special regulations applying to #large-scale general developments# are set forth in Section [74-74](#).

Any #development# or #enlargement# that occurs on or over a #railroad right-of-way#, or the inclusion of a #railroad right-of-way# in the #lot area# of a #zoning lot# less than one and a half acres, and that is not #accessory# to such #railroad right-of-way#, shall be certified by the Chairperson of the City Planning Commission pursuant to Section [75-41](#). In addition, the

#development# or #enlargement of a #building# on a #zoning lot# greater than one and a half acres that includes a #railroad right-of-way# or #former railroad right-of-way#, where such #building# is not #accessory# to a #railroad right-of-way#, may be permitted by the Commission pursuant to Section [74-61](#).

Special regulations applying only in Special Purpose Districts are set forth in Articles VIII, IX, X, XI, XII, XIII and XIV.

24-03 - General Purposes of Community Facility Bulk Regulations

LAST AMENDED

12/5/2024

The following bulk regulations are adopted in order to protect residential areas against congestion and to encourage the development of desirable and stable residential neighborhoods. In order to achieve these purposes, a direct control of the physical volume of buildings and their degree of lot coverage is established.

24-04 - Applicability of Article II, Chapter 3 Regulations

LAST AMENDED

12/5/2024

For #community facility# #buildings# or #buildings# used partly for #community facility# #use# and partly for #residential use#, the following regulations shall apply with regard to the applicability of certain #bulk# regulations from Article II, Chapter 3.

(a) All #bulk# regulations

- (1) In all districts, the #bulk# regulations of Article II, Chapter 3 (Residential Bulk Regulations in Residence Districts) for #qualifying affordable housing# may be applied to #buildings# subject to an #affordable housing regulatory agreement# if #qualifying affordable housing# includes #community facility# #uses#.
- (2) In R3-1, R3A, R3X, R4-1, R4A, R4B or R5B Districts, the #bulk# regulations of this Chapter shall apply only to a #zoning lot# or portion of a #zoning lot# that contains a #community facility# #building#, and the #bulk# regulations of Article II, Chapter 3 (Residential Bulk Regulations in Residence Districts) shall apply to any #zoning lot# or portion of a #zoning lot# that contains any #building# that is used partly for #community facility# #use# and partly for #residential use#. In such districts, the #bulk# regulations of this Chapter may apply to the #community facility# portion of a #building# that is used partly for #community facility# #use# and partly for #residential use# only where:
 - (i) such #community facility# #use# has received tax-exempt status from the New York City Department of Finance, or its successor, pursuant to Section 420 of the New York State Real Property Tax Law; or
 - (ii) such #building# has received an authorization pursuant to Section [24-06](#) (Modification of Bulk Regulations in Certain Districts).

(b) Height and setback

- (1) In R6 through R12 Districts with a letter suffix, the height and setback regulations of Section [23-43](#) (Height and Setback Requirements in R6 Through R12 Districts), inclusive, shall be applied to all #buildings# in accordance with the applicable #Residence District# regulations.
- (2) In all other #Residence Districts#, the #residential# height and setback regulations may be applied as follows:

- (i) the height and setback regulations of Section [23-42](#) (Height and Setback Requirements in R1 Through R5 Districts), inclusive, may be applied in accordance with the applicable #Residence District# regulations;
- (ii) the height and setback regulations of Section [23-43](#), inclusive, may be applied in accordance with the applicable #Residence District# regulations.

(c) Other #bulk# regulations

Where the height and setback regulations of Article II, Chapter 3 are applied, the following #residential# #bulk# regulations may also be applied to the entire #building#:

- (1) the #yard# regulations of Section [23-30](#), inclusive, applicable to a #multiple dwelling residence#;
- (2) the maximum #lot coverage# requirements of Section [23-36](#), inclusive; and
- (3) for #community facility# #uses# with sleeping accommodations:
 - (i) the special #floor area# allowances of Section [23-23](#), inclusive;
 - (ii) the #court# regulations of Section [23-35](#), inclusive; and
 - (iii) the distance between #buildings# and distance between #legally required windows# and #lot lines# regulations of Section [23-37](#).

Any obstructions permitted within a specific open area pursuant to Section [23-30](#), inclusive, shall also be permitted.

Where a particular #bulk# regulation of Article II, Chapter 3 is applied, it shall supersede the applicable regulations of Article II, Chapter 4.

For the purposes of applying such #bulk# provisions, #uses# shall be considered #residential#, and the term #dwelling unit# shall include “dwelling units” and “rooming units”, as set forth in the Housing Maintenance Code.

24-05 - Buildings Containing Certain Community Facility Uses

LAST AMENDED
12/5/2024

R1 R2 R3 R4 R5 R6 R7 R8 R9 R10 R11 R12

- (a) In R1 through R5 Districts in #lower density growth management areas#, the #bulk# regulations of this Chapter shall not apply to any #zoning lot# containing #buildings# used for:
 - (1) ambulatory diagnostic or treatment health care facilities listed under Use Group III(B), except where such #zoning lot# contains #buildings# used for hospitals or nursing homes as defined in the New York State Hospital Code; or
 - (2) child care services as listed under the definition of #school# in Section [12-10](#) (DEFINITIONS), except where such #zoning lot# contains #buildings# used for houses of worship or, for #zoning lots# that do not contain #buildings# used for houses of worship, where the amount of #floor area# used for child care services is equal to 25 percent or less of the amount of #floor area# permitted for #community facility# #use# on the #zoning lot#.
- (b) In lieu thereof, the #residential bulk# regulations of Article II, Chapter 3, shall apply, except that:

- (1) the minimum #lot area# for such #zoning lots# containing ambulatory diagnostic or treatment health care facilities shall be 5,700 square feet, and the minimum #lot area# for such #zoning lots# containing child care services shall be 10,000 square feet. In addition, each such #zoning lot# shall have a minimum #lot width# of 60 feet. Such #lot width# shall be applied as set forth in the definition of #lot width# in Section [12-10](#), provided that such #lot width# shall also be met along at least one #street line# of the #zoning lot#. No #building#, or portion thereof, shall be permitted between opposing #side lot lines# where such #lot lines# would be nearer to one another at any point than 60 feet;
- (2) the provisions of Section [23-341](#) (Permitted obstructions in required yards or rear yard equivalents), inclusive, shall be modified to prohibit parking spaces of any kind within a #front yard#;
- (3) in lieu of Section [23-331](#) (Basic side yard requirements in R1 through R5 Districts), Sections [24-35](#) (Minimum Required Side Yards) and [24-55](#) (Required Side and Rear Setbacks) shall apply; and
- (4) for child care services in R1 and R2 Districts, the provisions of paragraph (9) in the definition of #floor area# in Section [12-10](#), pertaining to #floor area# exclusions for the lowest story of a #residential building#, shall not apply.

For such #buildings#, the authorization provisions of Section [24-06](#) (Modification of Bulk Regulations in Certain Districts) shall be inapplicable.

24-06 - Modification of Bulk Regulations in Certain Districts

LAST AMENDED
12/5/2024

R3-1 R3A R3X R4-1 R4A R4B R5B

In the districts indicated, the City Planning Commission may authorize #developments# or #enlargements#, pursuant to the #bulk# regulations of this Chapter, provided that the Commission finds that:

- (a) the design of the #development# or #enlargement# ensures adequate separation of #uses# and sufficient independent access to each #use#; and
- (b) the #floor area# designated for #community facility# #use# is designed in a manner that is consistent with such #use# and physically distinguishes such space from that designated for #residential use#.

The Commission may prescribe additional safeguards to prevent the #conversion# of such #community facility# #use# to #residential use#.

Applications for authorizations shall be referred to the affected Community Board for a period of at least 30 days for comment. The Commission shall grant in whole or in part or deny the application within 60 days of the completion of the Community Board review period.

24-07 - Street Tree Planting

LAST AMENDED
12/5/2024

R1 R2 R3 R4 R5 R6 R7 R8 R9 R10 R11 R12

In all districts, as indicated, #developments#, or #enlargements# that increase the #floor area# on a #zoning lot# by 20 percent or

more, shall provide #street# trees in accordance with Section [26-41](#) (Street Tree Planting).

24-08 - Planting Strips

LAST AMENDED
12/5/2024

R1 R2 R3 R4 R5

In the districts indicated, #developments#, or #enlargements# that increase the #floor area# on a #zoning lot# by 20 percent or more, shall provide and maintain a planting strip in accordance with Section [26-42](#).

24-10 - FLOOR AREA AND LOT COVERAGE REGULATIONS

LAST AMENDED
12/5/2024

R1 R2 R3 R4 R5 R6 R7 R8 R9 R10 R11 R12

In all districts, as indicated, the #floor area# and #lot coverage# regulations of this Section [24-10](#), inclusive, shall apply as follows.

For any #zoning lot#, the maximum #floor area ratio# and maximum percent of #lot coverage# for a #community facility# #use# shall not exceed the #floor area ratio# and #lot coverage# set forth in Section [24-11](#) (Maximum Floor Area Ratio and Percentage of Lot Coverage), except as otherwise provided in the following Sections:

Section [24-111](#) (Maximum floor area ratio for certain community facility uses)

Section [24-112](#) (Special floor area ratio provisions for certain areas)

Section [24-13](#) (Floor Area Bonus for Deep Front and Wide Side Yards)

Section [24-14](#) (Floor Area Bonus for a Public Plaza)

Section [24-15](#) (Floor Area Bonus for Arcades)

Section [24-16](#) (Special Provisions for Zoning Lots Containing Both Community Facility and Residential Uses)

Section [24-17](#) (Special Provisions for Zoning Lots Divided by District Boundaries or Subject to Different Bulk Regulations).

Where #floor area# in a #building# is shared by multiple #uses#, the #floor area# for such shared portion shall be attributed to each #use# proportionately, based on the percentage each #use# occupies of the total #floor area# of the #zoning lot# less any shared #floor area#.

24-11 - Maximum Floor Area Ratio and Percentage of Lot Coverage

LAST AMENDED
12/5/2024

R1 R2 R3 R4 R5 R6 R7 R8 R9 R10 R11 R12

In all districts, as indicated, for any #zoning lot#, the maximum #floor area ratio# and maximum percent of #lot coverage# for a #community facility# #use# shall not exceed the #floor area ratio# and #lot coverage# set forth in the table in this Section.

Any given #lot area# shall be counted only once in determining the #floor area ratio#.

MAXIMUM FLOOR AREA AND MAXIMUM LOT COVERAGE IN R1 THROUGH R5 DISTRICTS

		#Lot coverage# (percent of #lot area#)	
District	#Floor Area Ratio#	#Corner Lot#	#Interior Lot# or #Through Lot#
R1	1.00	60	55
R2	1.00	60	55
R3	1.00	60	55
R4	2.00	60	55
R5 R5A R5B	2.00	60	55
R5D	2.00	80	60

MAXIMUM FLOOR AREA AND MAXIMUM LOT COVERAGE IN R6 THROUGH R12 DISTRICTS FOR CONTEXTUAL DISTRICTS

		#Lot coverage# (percent of #lot area#)

District	#Floor Area Ratio#	#Corner Lot#	#Interior Lot# or #Through Lot#
R6A	3.00	80	60
R6B	2.00	80	60
R6D	2.50	80	65
R7A	4.00	80	65
R7B	3.00	80	65
R7D	4.66	80	65
R7X	5.00	80	70
R8A	6.50	80	70
R8B	4.00	80	70
R8X	6.00	80	70
R9A	7.50	80	70
R9D	9.00	80	70
R9X	9.00	80	70
R10A	10.00	100	70
R10X	10.00	100	70
R11A	12.00	100	70

MAXIMUM FLOOR AREA AND MAXIMUM LOT COVERAGE IN R6 THROUGH R12 DISTRICTS FOR NON-

CONTEXTUAL DISTRICTS

		#Lot coverage# (percent of #lot area#)	
District	#Floor Area Ratio#	#Corner Lot#	#interior Lot# or #Through Lot#
R6 R6-1	4.80	70	65
R6-2	2.50	70	65
R7-1	4.80	70	65
R7-2 R7-3	6.50	70	65
R8	6.50	75	65
R9 R9-1	10.00	75	65
R10	10.00	75	65
R11	12.00	100	70
R12	15.00	100	70

24-111 - Maximum floor area ratio for certain community facility uses

LAST AMENDED
12/5/2024

R1 R2

- (a) In the districts indicated, for any #zoning lot# containing #community facility# #uses# other than those #uses# for which a permit is required pursuant to Sections [73-11](#) (Agriculture and Open Uses), [73-13](#) (Community Facilities) or [73-18](#) (Recreation, Entertainment and Assembly Spaces), or where #bulk# modification is permitted pursuant to Section [74-902](#) (Certain community facility uses in R1 and R2 Districts and certain Commercial Districts), the maximum #floor area ratio# shall not exceed the #floor area# permitted for #residential uses# by the applicable district regulations. The provisions of this paragraph shall not apply to #buildings# for which plans were filed with the Department of Buildings prior to November 15, 1972, including any subsequent amendments thereof.

R3 R4 R5 R6 R7 R8 R9

- (b) In R3 through R5 Districts, and in R6 through R9 Districts without a letter suffix, the maximum #floor area ratio# on a #zoning lot# for philanthropic or non-profit institutions with sleeping accommodations, and in R3-1, R3A, R3X, R4-1, R4A, R4B, R5A, R5B and R5D Districts, the maximum #floor area ratio# on a #zoning lot# for #long-term care facilities# shall be as set forth in the table in this Section, except that such maximum #floor area ratio# shall not apply to #qualifying affordable housing#. Such maximum #floor area ratio# may be modified by special permit of the City Planning Commission pursuant to Section [74-903](#) (Certain community facility uses in R3 to R9 Districts and certain Commercial Districts).

MAXIMUM FLOOR AREA RATIO FOR CERTAIN COMMUNITY FACILITY USES

District	Maximum #Floor Area Ratio# Permitted

R3	0.50
R4	0.75
R5 R5A R5B	1.27
R5D	2.00
R6	2.43
R7	3.44
R8	6.02
R9	7.52

- (c) In R6 through R12 Districts with a letter suffix, the maximum #floor area ratio# on a #zoning lot# for philanthropic or non-profit institutions with sleeping accommodations shall be as set forth in Section [24-11](#) (Maximum Floor Area Ratio and Percentage of Lot Coverage).

24-112 - Special floor area ratio provisions for certain areas

LAST AMENDED
12/5/2024

The #floor area ratio# provisions of Section [24-11](#) (Maximum Floor Area Ratio and Percentage of Lot Coverage), inclusive, shall be modified for certain areas as follows:

- (a) in R8B Districts within Community District 8, in the Borough of Manhattan, the maximum #floor area ratio# on a #zoning lot# containing #community facility# #uses# exclusively shall be 5.10;
- (b) in R10 Districts, except R10A or R10X Districts, within Community District 7, in the Borough of Manhattan, all #zoning lots# shall be limited to a maximum #floor area ratio# of 10.0; and
- (c) in R9 and R10 Districts, for #zoning lots# containing a #building# that is #developed# or #enlarged# pursuant to the applicable tower regulations of Sections [23-435](#) or [23-737](#) (Tower regulations), the provisions of Section [23-242](#) (Special provisions for certain community districts) shall apply:
- (1) to only the #residential# portion of a #building# where less than 75 percent of the total #floor area# of such #building# is allocated to #residential use#; and
 - (2) to the entire #building# where 75 percent or more of the total #floor area# of such #building# is allocated to #residential use#.

24-113 - Existing public amenities for which floor area bonuses have been received

- (a) Elimination or reduction in size of non-bonused open area on a #zoning lot# containing a bonused amenity

In all districts, any existing open area for which a #floor area# bonus has not been utilized that occupies the same #zoning lot# as an existing #publicly accessible open area# or other public amenity, open or enclosed, for which a #floor area# bonus has been utilized, may be reduced in size or eliminated only upon certification of the Chairperson of the City Planning Commission that all bonused amenities comply with the standards under which such #floor area# bonus was granted.

- (b) Nighttime closing of existing public open areas

In all #Residence Districts#, the City Planning Commission may, upon application, authorize the closing during certain nighttime hours of an existing #publicly accessible open area# for which a #floor area# bonus has been received, pursuant to Section [37-727](#) (Hours of access).

- (c) Elimination or reduction in size of existing public amenities

In all districts, no existing #publicly accessible open area#, #arcade# or other public amenity, open or enclosed, for which a #floor area# bonus has been utilized, shall be eliminated or reduced in size, except by special permit of the City Planning Commission, pursuant to Section [74-761](#) (Elimination or reduction in size of bonused public amenities).

24-12 - Height and Application of Lot Coverage

R3 R4 R5 R6 R7 R8 R9 R10 R11 R12

In the districts indicated, the portion of a #building# containing a #community facility# #use# located at any height up to but not exceeding 23 feet above #curb level# or #base plane#, where applicable, may be excluded in determining the percentage of #lot coverage# set forth in Section [24-11](#) (Maximum Floor Area Ratio and Percentage of Lot Coverage). Obstructions permitted under the provisions of Section [24-33](#) (Permitted Obstructions in Required Yards or Rear Yard Equivalents) shall not be included in #lot coverage#.

24-13 - Floor Area Bonus for Deep Front and Wide Side Yards

R3 R4 R5

In the districts indicated, except R5D Districts, the maximum #floor area ratio# set forth in Section [24-11](#) (Maximum Floor Area Ratio and Percentage of Lot Coverage) may be increased to the #floor area ratio# set forth in the table in this Section, if #yards# are provided as follows:

- (a) on #interior lots#, a #front yard# not less than 30 feet in depth, and a #side yard# not less than 15 feet in width along any #side lot line#;
- (b) on #corner lots#, two #front yards#, each not less than 30 feet in depth;

(c) on #through lots#, a #front yard# not less than 30 feet in depth along each #front lot line#, provided, however, that if the #rear yard equivalent# required for such #through lot# is provided as set forth in the alternative in paragraph (b) of Section [24-382](#) (Required rear yard equivalents), at least one #side yard# not less than 30 feet in width shall be provided in addition.

No portion of a #rear yard equivalent# that is also a #front yard# or a #side yard# as provided under this Section may contain any obstructions not permitted in a #front yard# or #side yard# under the provisions of Section [24-33](#) (Permitted Obstructions in Required Yards or Rear Yard Equivalents).

However, the provisions of this Section shall not apply to philanthropic or non-profit institutions with sleeping accommodations and #long-term care facilities#.

Districts	Maximum #Floor Area Ratio# Permitted
R3	1.60
R4	2.40
R5	2.40

24-14 - Floor Area Bonus for a Public Plaza

LAST AMENDED
12/5/2024

R9 R10 R11 R12

In the districts indicated, for #developments# or #enlargements# with 25 percent or less of the total #floor area# of the #building# allocated to #residential uses#, for each square foot of a #public plaza#, subject to the provisions of Section [37-70](#), provided on a #zoning lot#, the total #floor area# permitted on that #zoning lot# under the provisions of Section [24-11](#) (Maximum Floor Area Ratio and Percentage of Lot Coverage) may be increased by six square feet.

24-15 - Floor Area Bonus for Arcades

LAST AMENDED
12/5/2024

R9 R10 R11 R12

In the districts indicated, for #developments# or #enlargements# with 25 percent or less of the total #floor area# of the #building# allocated to #residential uses#, for each square foot of #arcade# provided on a #zoning lot# in accordance with the provisions of Section [37-80](#) (ARCADES), the total #floor area# permitted on that #zoning lot# under the provisions of Section [24-11](#) (Maximum Floor Area Ratio and Percentage of Lot Coverage) may be increased by three square feet.

24-16 - Special Provisions for Zoning Lots Containing Both Community Facility and Residential Uses

LAST AMENDED
12/5/2024

R1 R2 R3 R4 R5 R6 R7 R8 R9 R10 R11 R12

In all districts, as indicated, the provisions of this Section shall apply to any #zoning lot# containing #community facility# and #residential uses#.

24-161 - Maximum floor area ratio for zoning lots containing community facility and residential uses

LAST AMENDED
12/5/2024

R1 R2 R3-1 R3A R3X R4-1 R4A R4B R5D R6A R6B R6D R7-2 R7-3 R7A R7B R7D R7X R8 R9 R10 R11 R12

In the districts indicated, for #zoning lots# containing #community facility# and #residential uses#, the maximum #floor area ratio# permitted for a #community facility# #use# shall be as set forth in Section [24-11](#), inclusive, and the maximum #floor area ratio# permitted for a #residential use# shall be as set forth in Article II, Chapter 3, provided the total of all such #floor area ratios# does not exceed the greatest #floor area ratio# permitted for any such #use# on the #zoning lot#.

24-162 - Maximum floor area ratios and special floor area limitations for zoning lots containing residential and community facility uses in certain districts

LAST AMENDED
12/5/2024

R3-2 R4 R5 R6 R7-1

In the districts indicated, except R4-1, R4A, R4B, R5D, R6A, R6B and R6D Districts, the provisions of this Section shall apply to any #zoning lot# containing #community facility# and #residential use#. However, this Section shall not apply to #buildings# containing #residences# and philanthropic or non-profit residences with sleeping accommodations.

- (a) For #buildings# containing #residential# and #community facility# #uses#, if the ratio of #floor area# provided in a #building# to the #lot area# of the #zoning lot# is greater than as set forth in Column A in the table in this Section, then the maximum ratio of #community facility# #floor area# in such #buildings# to the #lot area# of the #zoning lot# shall be as set forth in Column B in the table. The maximum #floor area ratio# for the #residential# portions of such #buildings# shall be in accordance with Article II, Chapter 3, subject to the limitations set forth in paragraph (d) of this Section.

MAXIMUM COMMUNITY FACILITY FLOOR AREA RATIO FOR CERTAIN BUILDINGS CONTAINING COMMUNITY FACILITY AND RESIDENTIAL USES

District	COLUMN A	COLUMN B
	Ratio of #Floor Area# of #Building# to #Lot Area#	Maximum Ratio of #Floor Area# for #Community Facility Use# to #Lot Area#

R3-2	.50	.20
R4	.75	.40
R5B	1.25	.40
R5	1.25	.60
R6	2.50	1.00
R7-1	3.50	1.00

- (b) For #buildings# containing #residential# and #community facility# #uses#, if the ratio of #floor area# provided in a #building# to the #lot area# of the #zoning lot# is not greater than as set forth in Column A in the table in paragraph (a), then the maximum ratio of the #community facility# #floor area# in such #buildings# to the #lot area# shall be as set forth in Section [24-11](#), inclusive. The maximum #floor area ratio# for the #residential# portion of such #buildings# shall be in accordance with Article II, Chapter 3, subject to the limitations set forth in paragraph (d) of this Section.
- (c) For #zoning lots# containing multiple #buildings#, the provisions of this paragraph, (c), shall apply to #buildings# containing only #community facility# #uses# or only #residential uses#. The maximum #floor area ratio# permitted for a #building# containing only #community facility# #uses# shall be as set forth in Section [24-11](#), inclusive, and the maximum #floor area ratio# permitted for a #building# containing only #residential uses# shall be as set forth in Article II, Chapter 3, subject to the limitations set forth in paragraph (d) of this Section.
- (d) The total #floor area ratio# permitted for #community facility# #use# on the #zoning lot# shall be as set forth in Section [24-11](#), inclusive, and the total #floor area ratio# permitted for #residential use# on the #zoning lot# shall be as set forth in Article II, Chapter 3, provided the total of all such #floor area ratios# does not exceed the greatest #floor area ratio# permitted for any such #use# on the #zoning lot#.

For the purposes of this Section, a #building segment# may be considered to be a #building#.

24-163 - Lot coverage for zoning lots containing community facility and residential uses

LAST AMENDED
12/5/2024

Where different maximum percentages of #lot coverage# apply to #residential# and #community facility# #uses#, the higher #lot coverage# shall be applied to any level containing both such #uses#.

Furthermore, the maximum percent of #lot coverage# for #community facility# #uses# located below the level of #residential uses# need not be lower than the maximum percent of #lot coverage# permitted for such #residential uses#.

In addition, where a portion of a #building# is permitted as an obstruction in a required #rear yard# or #rear yard equivalent# pursuant to Section [24-33](#), for the purposes of applying the provisions of Section [24-12](#), portions of #community facility# #buildings# in existence on December 15, 1961, that exceed the maximum heights for such permitted obstructions, may be excluded from the maximum #lot coverage#.

24-164 - Balconies

LAST AMENDED

12/5/2024

R1 R2 R3 R4 R5 R6 R7 R8 R9 R10 R11 R12

In all districts, as indicated, the regulations set forth in Section [23-62](#) (Balconies) shall apply to any portion of a #building# used for living or sleeping accommodations.

24-17 - Special Provisions for Zoning Lots Divided by District Boundaries or Subject to Different Bulk Regulations

LAST AMENDED

12/5/2024

R1 R2 R3 R4 R5 R6 R7 R8 R9 R10 R11 R12

In the districts, as indicated, whenever a #zoning lot# is divided by a boundary between districts or is subject to #bulk# regulations resulting in different maximum #floor area ratios# or different maximum percentages of #lot coverage#, on portions of the #zoning lot#, the provisions set forth in Article VII, Chapter 7, shall apply.

24-18 - Special Floor Area Ratio and Related Bulk Provisions for Certain Areas

LAST AMENDED

12/5/2024

24-181 - Special provisions for certain buildings

LAST AMENDED

12/5/2024

For #sky exposure plane buildings# in R6 through R9 Districts without a letter suffix, the applicable #floor area ratio# and #open space ratio# provisions of Section [23-73](#) (Special Provisions for Sky Exposure Plane Buildings), inclusive, shall be modified by the provisions of this Section.

(a) #Open space ratio# for #residential# portions of #buildings#

For #zoning lots# containing a #residential building# or for the #residential# portion of a #mixed building#, a minimum #open space ratio# shall be provided in accordance with Section [23-70](#). For the purposes of applying such regulations:

- (1) the #floor area# counted in determining the #open space ratio# shall be only that #floor area# in the #residential# portion of the #building#;
- (2) the #lot coverage# shall be deemed to be that portion of the #zoning lot# which, when viewed directly from above, would be covered by the #residential# portion of the #building# at any level; and
- (3) the applicable #height factor#, if the maximum permitted #residential# #floor area ratio# is less than the total #floor area ratio# permitted for such #building#, shall be the #height factor# of the #residential# portion of the #building#.

A non-residential use occupying a portion of a building that was in existence on December 15, 1961, may be changed to a residential use and the regulations on minimum required open space ratio shall not apply to such change of use.

(b) Location of open space

The open space required for a residential building or for the residential portion of a mixed building under the provisions of paragraph (a) of this Section may be provided at ground floor level or upon the roof of a building. Open space on a roof may be located at a level higher than 23 feet above curb level on a community facility building or the community facility portion of a building, provided that the level of any open space may not be higher than 2 feet, 6 inches below the sill level of any legally required window opening on such roof area, in the residential portion of a building used partly for community facility and residential uses. However, open space located on the roof of a community facility building separated by open area from residential buildings or buildings used partly for community facility and residential uses on the same zoning lot may not be at a level higher than 23 feet above curb level.

For the purposes of this Section, abutting buildings on a single zoning lot may be considered to be a single building.

24-20 - APPLICABILITY OF DENSITY REGULATIONS TO ZONING LOTS CONTAINING BOTH RESIDENTIAL AND COMMUNITY FACILITY USES

LAST AMENDED
12/5/2024

In all districts, the maximum number of dwelling units on a zoning lot containing both community facility and residential uses shall

be as set forth in Section [23-52](#) (Special Provisions for Buildings Containing Multiple Uses).

24-30 - YARD REGULATIONS

LAST AMENDED
12/15/1961

General Provisions

24-31 - Applicability of Yard Regulations

LAST AMENDED
12/5/2024

R1 R2 R3 R4 R5 R6 R7 R8 R9 R10 R11 R12

In all districts, as indicated, yards shall be provided as set forth in Sections [24-30](#) (YARD REGULATIONS) and [24-40](#) (SPECIAL PROVISIONS FOR ZONING LOTS DIVIDED BY DISTRICT BOUNDARIES), inclusive.

For zoning lots with residential and community facility uses, front yards shall be provided pursuant to Article II,

Chapter 3, where applicable, and #side yards# and #rear yards# shall be provided in accordance with this Chapter. The #building# articulation provisions of paragraph (b) of Section [23-426](#) (Additional height and setback provisions) shall apply to #zoning lots# with #residential# and #community facility# #uses#.

For the #residential# portion of a #building# with both #residential# and #community facility# #uses#, the required #residential rear yard# shall be provided at the floor level of the lowest #story# used for #dwelling units#, where any window of such #dwelling units# faces onto such #rear yard#.

24-32 - Level of Yards and Measurement of Yard Width or Depth

LAST AMENDED

2/2/2011

In all #Residence Districts#, the level of a #yard# or of a #rear yard equivalent# shall not be higher than #curb level#, except that natural grade level need not be disturbed in order to comply with this requirement. No #building or other structure# shall be erected above ground level in any required #yard# or #rear yard equivalent#, except as otherwise provided in Section [24-33](#) (Permitted Obstructions in Required Yards or Rear Yard Equivalents).

In all #Residence Districts#, the width or depth of a #yard# or #rear yard equivalent# shall be measured perpendicular to #lot lines#.

24-33 - Permitted Obstructions in Required Yards or Rear Yard Equivalents

LAST AMENDED

12/5/2024

In all #Residence Districts#, the obstructions set forth in Section [23-311](#) (Permitted obstructions in all yards, courts and open areas), as well as the following obstructions shall be permitted when located within a required #yard# or #rear yard equivalent#:

- (a) In any #yard# or #rear yard equivalent#:
- (1) Fences;
 - (2) Parking spaces for automobiles or bicycles, off-street, open, #accessory#;
 - (3) #Energy infrastructure equipment# and #accessory# mechanical equipment, subject to the requirements set forth in Section [23-312](#) (Additional permitted obstructions generally permitted in all yards);
 - (4) Steps;
 - (5) Walls, not exceeding eight feet in height and not roofed or part of a #building#.
- (b) In any #rear yard# or #rear yard equivalent#:
- (1) Balconies, unenclosed, subject to the provisions of Section [24-164](#);
 - (2) Any #building# or portion of a #building# used for #community facility# #uses#, including #accessory# parking spaces for bicycles within such #building#, provided that the height of such #building# shall not exceed one #story#, nor in any event 23 feet above #curb level#, and further provided that the area within such #building# dedicated to #accessory# parking spaces for bicycles shall not exceed the area permitted to be excluded from #floor area#, pursuant to Section [25-85](#) (Floor Area Exemption). In addition, decks, parapet walls, roof thickness, skylights, vegetated roofs and weirs, pursuant to Section [24-51](#) (Permitted Obstructions), shall be

permitted above such an #accessory building#, or portion thereof. However, the following shall not be permitted obstructions:

- (i) in all #Residence Districts#, any portion of a #building# containing rooms used for living or sleeping purposes, other than a room in a hospital used for the care or treatment of patients;
 - (ii) in R1, R2, R3-1, R3A, R3X, R4-1 R4A or R4B Districts, any portion of a #building# used for any #community facility# #use#;
 - (iii) in all #Residence Districts# not listed in paragraph (b)(2)(ii) of this Section, beyond 100 feet of a #wide street#, any portion of a #building# used for a #community facility# #use# other than a #school#, house of worship, college or university, or hospital and related facilities;
- (3) Parking spaces, off-street, #accessory# to a #community facility# #use#, provided that the height of an #accessory building#, or portion of a #building# used for such purposes, shall not exceed 15 feet above #curb level#. However, such #accessory building# or portion of a #building# shall not be a permitted obstruction in R1, R2, R3-1, R3A, R3X, R4-1, R4A or R4B Districts.

However, no portion of a #rear yard equivalent# which is also a required #front yard# or required #side yard# may contain any obstructions not permitted in such #front yard# or #side yard#.

24-34 - Minimum Required Front Yards

LAST AMENDED
12/5/2024

R1 R2 R3 R4 R5

In the districts indicated, #front yards# shall be provided as set forth in the following table, except that for a #corner lot# in an R1-2 District, one #front yard# may have a depth of 15 feet.

District	#Front Yard# (in feet)
R1	20
R2 R3 R4	15
R5	10
R5D	5*

* In R5D Districts, the provisions set forth in Section [23-321](#) (Basic front yard requirements) shall apply.

24-35 - Minimum Required Side Yards

LAST AMENDED

12/5/2024

R1 R2 R3 R4 R5

- (a) In the districts indicated, if a #building# containing a #community facility# #use# has an #aggregate width of street walls# equal to 80 feet or less or, for #abutting# #buildings#, if the combined #aggregate width of street walls# of all such #abutting# #buildings# on a #zoning lot# is equal to 80 feet or less, then two #side yards# shall be provided, each with a minimum required width of eight feet. If such #building# or #buildings# have an #aggregate width of street walls# equal to more than 80 feet, two #side yards# shall be provided, each equal to not less than 10 percent of the #aggregate width of street walls#. The provisions of this paragraph (a) shall not apply in R5D Districts. In lieu thereof, the #side yard# regulations set forth in Sections 23-331 (Basic side yard requirements in R1 through R5 Districts), as applicable, shall apply.

R6 R7 R8 R9 R10 R11 R12

- (b) In the districts indicated, no #side yards# are required. However, if any open area extending along a #side lot line# is provided at any level, it shall be at least eight feet wide. The allowances for permitted obstructions in any #yard# or #rear yard equivalent# set forth in Section [24-33](#) (Permitted Obstructions in Required Yards or Rear Yard Equivalents) shall be permitted in such open areas.

24-351 - Special provisions applying along district boundaries

LAST AMENDED

12/5/2024

R6 R7 R8 R9 R10 R11 R12

In the districts indicated, if the boundary of an adjoining R1, R2, R3, R4 or R5 District coincides with a #side lot line# of a #zoning lot#, a #side yard# at least eight feet wide shall be provided along such boundary within the districts indicated.

24-36 - Minimum Required Rear Yards

LAST AMENDED

12/5/2024

R1 R2 R3 R4 R5 R6 R7 R8 R9 R10 R11 R12

In all districts, as indicated, a #rear yard# with a depth of not less than 30 feet shall be provided at every #rear lot line# on any #zoning lot# except as otherwise provided in Sections [24-37](#) (Special Provisions for Shallow Interior Lots), [24-38](#) (Special Provisions for Through Lots) or [24-39](#) (Other Special Provisions for Rear Yards). #Rear yards# shall also be provided along portions of #side lot lines# as set forth in Section [24-361](#) (Beyond one hundred feet of a street line).

24-361 - Beyond one hundred feet of a street line

LAST AMENDED

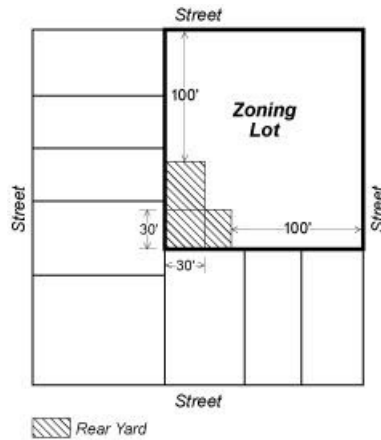
12/5/2024

R1 R2 R3 R4 R5 R6 R7 R8 R9 R10 R11 R12

In all districts, as indicated, for #corner lots#, and for #zoning lots# that are bounded by two or more #streets# that are neither #corner lots# nor #through lots#, the portion of a #side lot line# beyond 100 feet of the #street line# that it intersects shall be

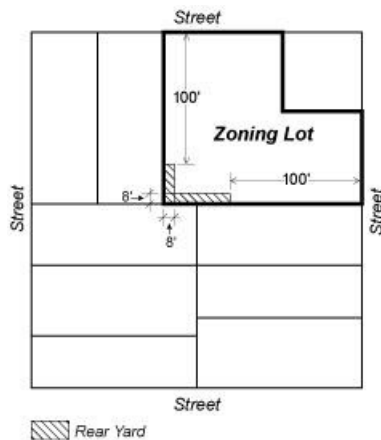
considered a #rear lot line# and the following rules shall apply along such #rear lot line#:

- (a) In all districts, a #rear yard# with a minimum depth of 30 feet shall be provided where such #rear lot line# coincides with a #rear lot line# of an adjoining #zoning lot#.



CORNER LOT

- (b) In R1 through R5 Districts, a #rear yard# with a minimum depth of eight feet shall be provided where such #rear lot line# coincides with a #side lot line# of an adjoining #zoning lot#.



ZONING LOT BOUNDED BY TWO OR MORE STREETS (NEITHER A CORNER LOT NOR A THROUGH LOT)

- (c) In R6 through R12 Districts, no #rear yard# shall be required where such #rear lot line# coincides with a #side lot line# of an adjoining #zoning lot#.

LAST AMENDED
12/5/2024

R1 R2 R3 R4 R5 R6 R7 R8 R9 R10 R11 R12

In the districts indicated, if an #interior lot# consists entirely of a tract of land:

- (a) which was owned separately and individually from all other adjoining tracts of land, both on December 15, 1961 and on the date of application for a building permit; and
- (b) which is less than 70 feet deep at any point;

the depth of a required #rear yard# for such #interior lot# may be reduced by one foot for each foot by which the maximum depth of such #zoning lot# is less than 70 feet. On any #interior lot# with a maximum depth of 50 feet or less, the minimum depth of a required #rear yard# shall be 10 feet.

24-38 - Special Provisions for Through Lots

LAST AMENDED
12/5/2024

R1 R2 R3 R4 R5 R6 R7 R8 R9 R10 R11 R12

In all districts, as indicated, the regulations of this Section shall apply to all #through lots#. In the case of a #zoning lot# occupying an entire #block#, no #rear yard# or #rear yard equivalent# shall be required.

24-381 - Excepted through lots

LAST AMENDED
12/5/2024

R1 R2 R3 R4 R5 R6 R7 R8 R9 R10 R11 R12

- (a) In all districts, as indicated, no #rear yard# regulations shall apply to any #through lots# that extend less than 110 feet in maximum depth from #street# to #street#.
- (b) In the districts indicated, for all #buildings#, no #rear yard# regulations shall apply to any #zoning lot# that includes a #through lot# portion which is contiguous on one side to two #corner lot# portions, and such #zoning lot# occupies the entire #block# frontage of a #street#.

24-382 - Required rear yard equivalents

LAST AMENDED
12/5/2024

R1 R2 R3 R4 R5 R6 R7 R8 R9 R10 R11 R12

In all districts, as indicated, on any #through lot# 110 feet or more in maximum depth from #street# to #street#, one of the following #rear yard equivalents# shall be provided:

- (a) an open area with a minimum depth of 60 feet midway (or within five feet of being midway) between the two #street lines# upon which such #through lot# fronts;

- (b) two open areas, each adjoining and extending along the full length of a #street line#, and each with a minimum depth of 30 feet measured from such #street line#, except the depth of such required open area along one #street line# may be decreased, provided that:
- (1) a corresponding increase in the depth of the open area along the other #street line# is made; and
 - (2) any required front setback areas are maintained; or
- (c) an open area adjoining and extending along the full length of each #side lot line#, with a minimum width of 30 feet measured from each such #side lot line#.

However, in R5D, R6A, R6B, R6D, R7A, R7B, R7D, R7X, R8A, R8B, R8X, R9A, R9D, R9X, R10A, R10X and R11A Districts, on any #through lot# at least 180 feet in depth from #street# to #street#, a #rear yard equivalent# shall be provided only as set forth in paragraph (a) of this Section.

Any such #rear yard equivalent# shall be unobstructed from its lowest level to the sky, except as provided in Section [24-33](#) (Permitted Obstructions in Required Yards or Rear Yard Equivalents).

24-39 - Other Special Provisions for Rear Yards

LAST AMENDED
12/5/2024

R1 R2 R3 R4 R5 R6 R7 R8 R9 R10 R11 R12

In all districts, as indicated, the #rear yard# requirements set forth in Section [24-36](#) (Minimum Required Rear Yards) shall be modified, as set forth in this Section, inclusive.

24-391 - Within one hundred feet of corners

LAST AMENDED
12/5/2024

R6 R7 R8 R9 R10 R11 R12

In the districts indicated, no #rear yard# shall be required within 100 feet of the point of intersection of two #street lines# intersecting at an angle of 135 degrees or less.

24-392 - Along short dimension of block

LAST AMENDED
12/5/2024

R6 R7 R8 R9 R10 R11 R12

In the districts indicated, whenever a #front lot line# of a #zoning lot# coincides with the #street line# of the #short dimension of a block#, no #rear yard# shall be required within 100 feet of such #front lot line#.

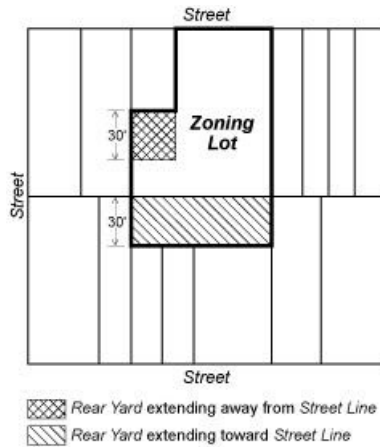
24-393 - For zoning lots with multiple rear lot lines

LAST AMENDED

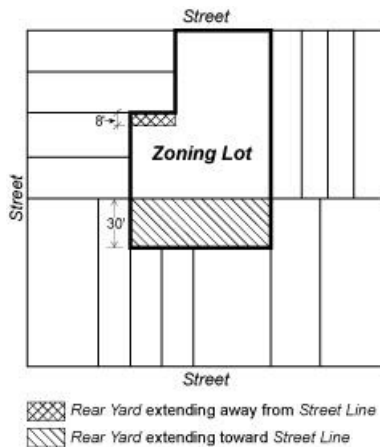
R1 R2 R3 R4 R5 R6 R7 R8 R9 R10 R11 R12

In all districts, as indicated, for #zoning lots# with multiple #rear lot lines#, if a #rear yard# extends from a #rear lot line# away from the #street line# which is used to determine such #rear lot line#, the following rules shall apply along such #rear lot line#:

- (a) In all districts, a #rear yard# with a minimum depth of 30 feet shall be provided where such #rear lot line# coincides with a #rear lot line# of an adjoining #zoning lot#.



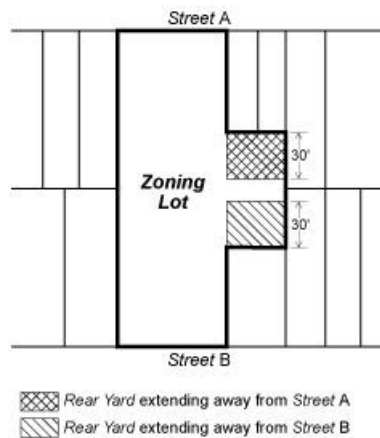
- (b) In R1 through R5 Districts, a #rear yard# with a minimum depth of eight feet shall be provided where such #rear lot line# coincides with a #side lot line# of an adjoining #zoning lot#.



- (c) In R6 through R12 Districts, no #rear yard# shall be required where such #rear lot line# coincides with a #side lot line# of an adjoining #zoning lot#.

- (d) In all districts, for portions of #through lots# that have multiple #rear lot lines# and such portions are not subject to

#interior lot# regulations, the #street line# bounding the #zoning lot# closest to such #rear lot line# shall be used to determine compliance with this Section.



24-40 - SPECIAL PROVISIONS FOR ZONING LOTS DIVIDED BY DISTRICT BOUNDARIES

LAST AMENDED
12/5/2024

R1 R2 R3 R4 R5 R6 R7 R8 R9 R10 R11 R12

In all districts, as indicated, whenever a #zoning lot# is divided by a boundary between districts or is subject to other regulations resulting in different #yard# regulations on portions of the #zoning lot#, the provisions set forth in Article VII, Chapter 7, shall apply.

24-41 - Modifications of Rear Yard Regulations

LAST AMENDED
12/5/2024

R1 R2 R3 R4 R5 R6 R7 R8 R9 R10 R11 R12

In all districts, as indicated, the regulations set forth in Section [24-393](#) (For zoning lots with multiple rear lot lines) may be modified in accordance with the provisions of Section [73-69](#) (Rear Yard Modifications).

24-50 - HEIGHT AND SETBACK REGULATIONS

LAST AMENDED
12/5/2024

R1 R2 R3 R4 R5 R6 R7 R8 R9 R10 R11 R12

In all districts, as indicated, the height and setback regulations of this Section [24-50](#), inclusive, shall apply as follows.

Height and setback regulations applicable to R1 through R5 Districts, except R5D Districts, are set forth in Section [24-521](#) (Front setbacks in districts where front yards are required). In R5D Districts, all #buildings or other structures# shall comply with the applicable height and setback requirements set forth in Section [23-40](#) (HEIGHT AND SETBACK REGULATIONS),

inclusive.

In R6 through R12 Districts with a letter suffix, the height and setback regulations of Section [23-43](#) (Height and Setback Requirements in R6 Through R12 Districts), inclusive, shall be applied to all #buildings# in accordance with the applicable #Residence District# regulations, pursuant to Section [24-04](#) (Applicability of Article II, Chapter 3 Regulations). For other #buildings# in R6 through R12 Districts without a letter suffix utilizing the provisions of this Chapter, height and setback regulations are set forth in Sections [24-522](#) (Front setbacks in districts where front yards are not required), [24-53](#) (Alternate Front Setbacks) and [24-54](#) (Tower Regulations), as applicable.

In all districts, supplemental provisions are set forth in Sections [24-55](#) (Required Side and Rear Setbacks), [24-56](#) (Special Height and Setback Provisions for Certain Areas), [24-57](#) (Modifications of Height and Setback Regulations), [24-58](#) (Special Provisions for Zoning Lots Divided by District Boundaries) and [24-59](#) (Special Height Limitations), respectively.

24-51 - Permitted Obstructions

LAST AMENDED
12/5/2024

In all #Residence Districts#, the obstructions set forth in Section [23-411](#) (General permitted obstructions), as well as the following obstructions, shall be permitted and may thus penetrate a maximum height limit or #sky exposure plane# set forth in Sections [24-52](#) (Maximum Height of Walls and Required Setbacks), [24-53](#) (Alternate Front Setbacks) or [24-591](#) (Limited Height Districts):

- (a) Balconies, unenclosed, subject to the provisions of Section [24-164](#);
- (b) Elevator or stair bulkheads (including shafts; and vestibules), roof water tanks, #energy infrastructure equipment#, and #accessory# mechanical equipment (including enclosures), other than solar or wind energy systems (whether #accessory# or as part of #energy infrastructure equipment#), provided that:
 - (1) such obstructions shall be located not less than 10 feet from the #street wall# of a #building#, except that such obstructions need not be set back more than 25 feet from a #narrow# #street line# or more than 20 feet from a #wide# #street line#. However, such restrictions on location shall not apply to elevator or stair bulkheads (including shafts or vestibules), provided the #aggregate width of street walls# of such bulkheads within 10 feet of a #street wall#, facing each #street# frontage, does not exceed 30 percent of the #street wall# width of the #building# facing such frontage;
 - (2) the aggregate area of such obstructions, including any screening, does not exceed 50 percent of the #lot coverage# of the #building# and the height of such obstructions shall not exceed 15 feet above the maximum permitted height, except where otherwise permitted by paragraph (3) of this Section;
 - (3) the aggregate area of such obstructions, including any screening, does not exceed 30 percent of the #lot coverage# of the #building# and the height of such obstructions shall not exceed:
 - (i) where the maximum permitted height of a #building# is 120 feet or lower, a height of 35 feet above the maximum permitted height;
 - (ii) where the maximum permitted height of a #building# is greater than 120 feet, a height of 55 feet above the maximum permitted height; and
 - (4) all equipment shall be subject to the applicable provisions of Section [26-60](#) (SPECIAL SCREENING AND ENCLOSURE PROVISIONS);

- (c) House of worship towers, ornamental, having no #floor area# in portion of tower penetrating such height limit or #sky exposure plane#;
- (d) #Qualifying rooftop greenhouses#, up to 25 feet in height, provided that such obstruction shall be located not less than six feet from the #street wall# of the #building#;
- (e) Spires or belfries;
- (f) Wind energy systems, #accessory# or as part of #energy infrastructure equipment#, on portions of #buildings# with a height of 100 feet or greater, provided:
 - (1) the highest point of the wind turbine assembly does not exceed 55 feet;
 - (2) no portion of the wind turbine assembly is closer than 10 feet to any #lot line#; and
 - (3) the diameter of the swept area of the rotor does not exceed 15 feet.

24-52 - Maximum Height of Walls and Required Setbacks

LAST AMENDED
12/5/2024

R1 R2 R3 R4 R5 R6 R7 R8 R9 R10 R11 R12

In all districts, as indicated, the maximum height of a front wall or of any other portion of a #building or other structure# shall be as set forth in this Section, except as otherwise provided in Section [24-51](#) (Permitted Obstructions), [24-53](#) (Alternate Front Setbacks) or [24-54](#) (Tower Regulations).

24-521 - Front setbacks in districts where front yards are required

LAST AMENDED
3/22/2016

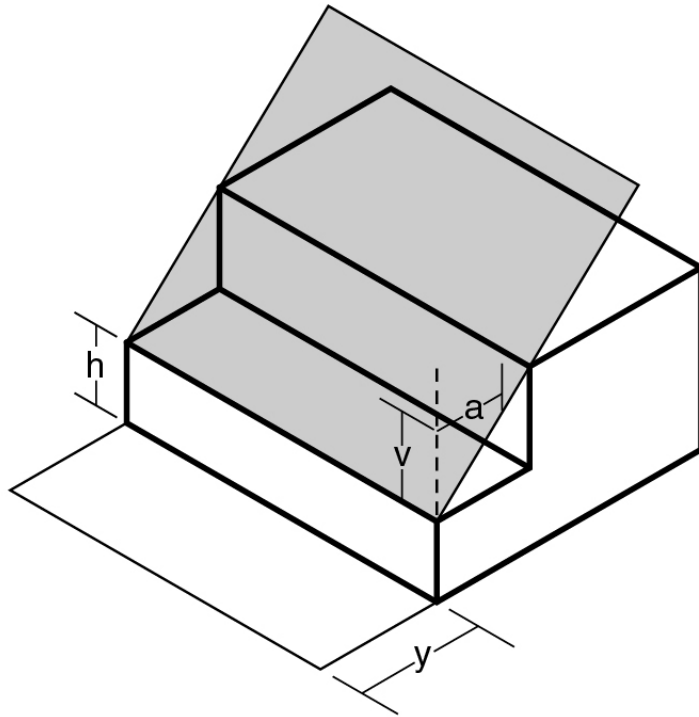
R1 R2 R3 R4 R5

In the districts indicated, except R5D Districts, where #front yards# are required, the front wall or any other portion of a #building or other structure# shall not penetrate the #sky exposure plane# set forth in the following table:

MAXIMUM HEIGHT OF FRONT WALL AND REQUIRED FRONT SETBACKS

Height above #Front Yard Line# (in feet)	#Sky Exposure Plane#		District
	Slope over #Zoning Lot# (expressed as a ratio of vertical distance to horizontal distance)		
	On #Narrow Street#	On #Wide Street#	

	Vertical Distance	Horizontal Distance	Vertical Distance	Horizontal Distance	
25	1 to	1	1 to	1	R1 R2 R3
35	1 to	1	1 to	1	R4 R5



a - Horizontal distance

v - Vertical distance

h - Height of *sky exposure plane* above *front yard line level*

y - Depth of required *front yard*

 *Sky Exposure Plane*

SKY EXPOSURE PLANE

R1, R2, R3, R4, R5 Districts

24-522 - Front setbacks in districts where front yards are not required

LAST AMENDED

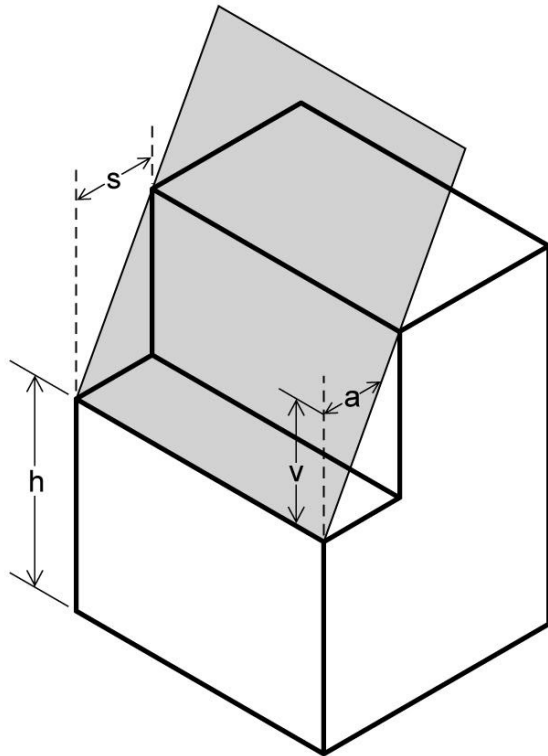
12/5/2024

R6 R7 R8 R9 R10 R11 R12

In the districts indicated without a letter suffix, if the front wall or other portion of a #building or other structure# is located at the #street line# or within the #initial setback distance# set forth in the table in this Section, the height of such front wall or other portion of a #building or other structure# shall not exceed the maximum height above #curb level# set forth in the table. Above such specified maximum height and beyond the #initial setback distance#, the #building or other structure# shall not penetrate the #sky exposure plane# set forth in the table:

MAXIMUM HEIGHT OF FRONT WALL AND REQUIRED FRONT SETBACKS

#Initial Setback Distance# (in feet)		Maximum Height of a Front Wall or other portion of a #Building or other structure# within the #Initial Setback Distance#	#Sky Exposure Plane#				
			Height above #Street Line# (in feet)	Slope over #Zoning Lot# (expressed as a ratio of vertical distance to horizontal distance)			
On #Narrow Street#	On #Wide Street#			On #Narrow Street#		On #Wide Street#	
			Vertical Distance	Horizontal Distance	Vertical Distance	Horizontal Distance	
R6 or R7 Districts							
20	15	60 feet or six #stories#, whichever is less	60	2.7	to 1	5.6	to 1
R8, R9, R10, R11 or R12 Districts							
20	15	85 feet or nine #stories#, whichever is less	85	2.7	to 1	5.6	to 1



- a - Horizontal distance
 - h - Height of sky exposure plane above street line
 - s - Initial setback distance
 - v - Vertical distance
- Sky Exposure Plane

SKY EXPOSURE PLANE

R6, R7, R8, R9, R10, R11, R12 Districts

24-53 - Alternate Front Setbacks

LAST AMENDED
12/5/2024

R6 R7 R8 R9 R10 R11 R12

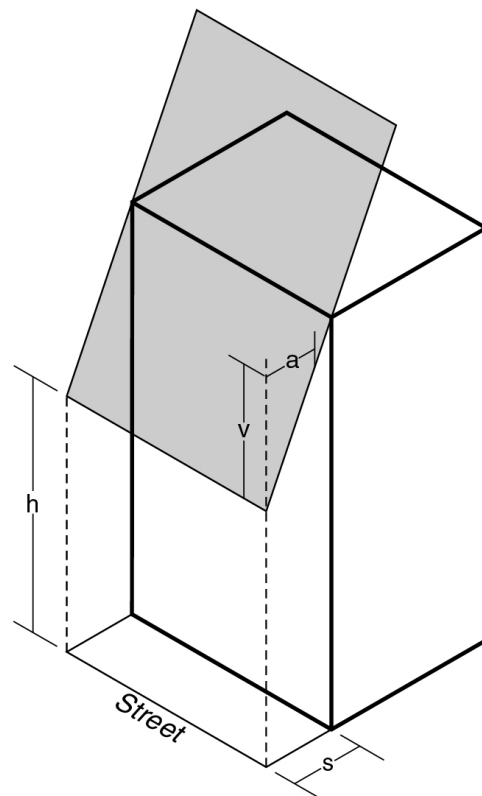
In the districts indicated without a letter suffix, if an open area is provided along the full length of the #front lot line# with the minimum depth set forth in the following table, the provisions of Section [24-52](#) (Maximum Height of Walls and Required Setbacks) shall not apply. The minimum depth of such an open area shall be measured perpendicular to the #front lot line#. However, in such instances, except as otherwise provided in Sections [24-51](#) (Permitted Obstructions) or [24-54](#) (Tower Regulations), no #building or other structure# shall penetrate the alternate #sky exposure plane# set forth in the table, and the #sky exposure plane# shall be measured from a point above the #street line#.

If the open area provided under the terms of this Section is a #public plaza#, such open area may be counted for the bonus provided for a #public plaza# in the districts indicated in Section [24-14](#) (Floor Area Bonus for a Public Plaza).

In R9, R10, R11 or R12 Districts, the provisions of this Section shall be inapplicable to any #development# or #enlargement# with more than 25 percent of the total #floor area# of the #building# in #residential use#.

ALTERNATE REQUIRED FRONT SETBACKS

Depth of Optional Front Open Area (in feet)		Alternate #Sky Exposure Plane#				
		Height above #Street Line# (in feet)	Slope over #Zoning Lot# (expressed as a ratio of vertical distance to horizontal distance)			
			On #Narrow Street#		On #Wide Street#	
On #Narrow Street#	On #Wide Street#		Vertical Distance	Horizontal Distance	Vertical Distance	Horizontal Distance
Within R6 or R7 Districts						
15	10	60	3.7	to 1	7.6	to 1
Within R8 R9, R10, R11 or R12 Districts						
15	10	85	3.7	to 1	7.6	to 1



a - Horizontal distance
 h - Height of sky exposure plane above street line
 s - Depth of the optional front open area
 v - Vertical distance
 Sky Exposure Plane

24-54 - Tower Regulations

LAST AMENDED
12/5/2024

R7-2 R7-3 R8 R9 R10 R11 R12

- (a) In the districts indicated without a letter suffix, any portion or portions of #buildings# which in the aggregate occupy not more than 40 percent of the #lot area# of a #zoning lot# or, for #zoning lots# of less than 20,000 square feet, the percentage set forth in the table in this Section, may penetrate an established #sky exposure plane# in accordance with the provisions of this Section. (Such portion of a #building# that penetrates a #sky exposure plane# is hereinafter referred to as a tower.)

LOT COVERAGE OF TOWERS ON SMALL ZONING LOTS

Area of #Zoning Lot# (in square feet)	Maximum Percent of #Lot Coverage#
10,500 or less	50
10,501 to 11,500	49
11,501 to 12,500	48
12,501 to 13,500	47
13,501 to 14,500	46
14,501 to 15,500	45
15,501 to 16,500	44
16,501 to 17,500	43
17,501 to 18,500	42
18,501 to 19,999	41

#Buildings# #developed# or #enlarged# with towers shall comply with either tower-on-a-base regulations or standard tower regulations as follows:

(1) Applicability of tower-on-a-base regulations

The tower-on-a-base regulations of Section [23-442](#) (Special provisions for certain community districts) shall apply in R9 and R10 Districts to any such #building# that:

- (i) is located on a #zoning lot# that fronts upon a #wide street# and is either within 125 feet from such #wide street# frontage along the short dimension of the #block# or within 100 feet from such #wide street# frontage along the long dimension of the #block#; and
- (ii) contains more than 25 percent of its total #floor area# in #residential use#.

If a portion of such #building# is #developed# or #enlarged# as a #tower# the entire #zoning lot# shall comply with the provisions of Section [23-442](#).

(2) Applicability of standard tower regulations

- (i) In R7-2, R7-3 and R8 Districts, the standard tower regulations of Section [23-435](#) shall apply only to #buildings# #developed# or #enlarged# as towers, where such towers are comprised, at every level, of only #community facility# #uses#.
- (ii) In R9 and R10 Districts, the standard tower regulations of Section [23-652](#) shall apply to any #building# #developed# or #enlarged# as a tower that does not meet the location and #floor area# criteria of paragraph (a)(1) of this Section.

(b) Inapplicability of tower regulations

R7-2 R7-3 R8 R9 R10 R11 R12

In the districts indicated, the provisions of this Section shall not apply to any #development# or #enlargement# located wholly or partly in a #Residence District# that is within 100 feet of a #public park# with an area of one acre or more, or a #street line# opposite such a #public park#.

24-55 - Required Side and Rear Setbacks

LAST AMENDED
12/5/2024

R1 R2 R3 R4 R5 R6 R7 R8 R9 R10 R11 R12

In all districts, as indicated, side and rear setbacks shall be provided as specified in this Section. Unenclosed balconies, subject to the provisions of Section [24-164](#) (Balconies); and awnings and other sun control devices, decks, #qualifying exterior wall thickness#, parapet walls, roof thickness, solar energy systems up to four feet high, vegetated roofs, and weirs, as set forth in Section [24-51](#) (Permitted Obstructions), are permitted to project into or over any open areas required by the provisions of this Section.

24-551 - Required side setbacks for tall buildings in low bulk districts

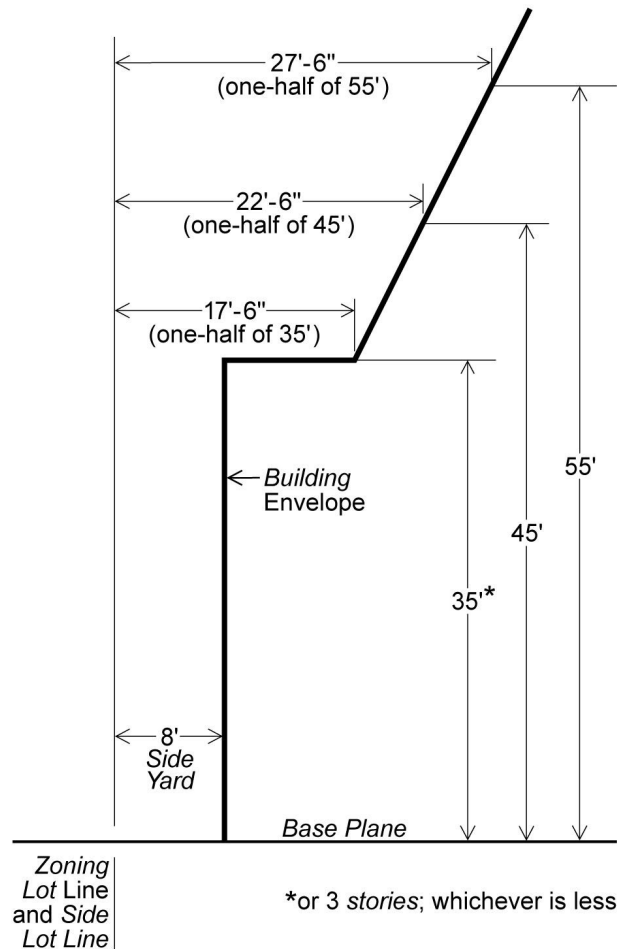
LAST AMENDED
2/2/2011

R1 R2 R3 R4 R5

In the districts indicated, except R5D Districts, no #community facility# portion of any #building# that is more than 35 feet or more than three #stories# above the level of a #side yard#, whichever is lower, shall be nearer to a #side lot line# bounding such #yard# than a distance equal to one-half the height above yard level of such portion of the #building#.

The following are permitted to project into any open area required under the provisions of this Section:

- (a) parapet walls, not more than four feet high; and
- (b) chimneys or flues, with a total width not exceeding 10 percent of the #building's# walls facing such open area.



SIDE SETBACK REQUIREMENT

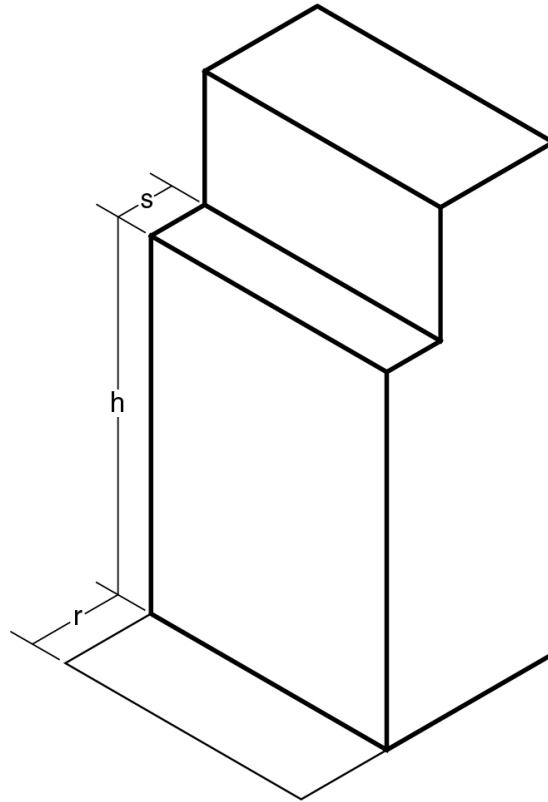
24-552 - Required rear setbacks for tall buildings

LAST AMENDED
12/5/2024

R1 R2 R3 R4 R5 R6 R7 R8 R9 R10 R11 R12

In the districts indicated without a letter suffix, no portion of a #building# more than 125 feet above yard level shall be nearer to a #rear yard line# than 20 feet. However, this provision shall not apply to any portion of a #building# that qualifies as a tower under the provisions of Section [24-54](#).

In the case of a #through lot# on which a #rear yard equivalent# is provided as set forth in paragraph (a) of Section [24-382](#), the requirements of this Section shall apply as if such #rear yard equivalent# were two adjoining #rear yards#. If a #rear yard equivalent# is provided as set forth in paragraphs (b) or (c) of Section [24-382](#), the requirements of this Section shall not apply.



h - Height of wall above *rear yard*
r - Depth of required *rear yard*
s - Depth of required *rear yard* setback

REAR SETBACK FOR TALL BUILDINGS

24-56 - Special Height and Setback Provisions for Certain Areas

LAST AMENDED
12/5/2024

R1 R2 R3 R4 R5 R6 R7 R8 R9 R10 R11 R12

(a) For Zoning Lots Directly Adjoining Public Parks

In all districts, as indicated, a #public park# with an area of between one and 15 acres shall be considered a #wide street# for the purpose of applying the regulations set forth in Section [24-52](#) (Maximum Height of Walls and Required Setbacks) to any #building or other structure# on a #zoning lot# adjoining such #public park#. However, the provisions of this Section shall not apply to a #public park# more than 75 percent of which is paved.

(b) Community District 6, Manhattan

In Community District 6 in the Borough of Manhattan, for #buildings# #developed# or #enlarged# with towers in R10 Districts located east of First Avenue and north of East 51st Street, the provision of paragraph (a)(1) of Section [24-54](#) (Tower Regulations) shall be modified to require that the tower-on-a-base provisions of Section [23-441](#) (Special tower provisions) apply to all #buildings# where more than 25 percent of the total #floor area# of the #building# is allocated to #residential uses#, irrespective of whether the #building# has #wide street# or #narrow street# frontage. However, such provisions shall be modified in accordance with the provisions of Section [23-442](#) (Special provisions for certain community districts).

(c) Community District 9, Manhattan

Within the boundaries of Community District 9 in the Borough of Manhattan, all #buildings# located in R8 Districts north of West 125th Street shall be #developed# or #enlarged# pursuant to the #residential bulk# regulations of Section 23-443.

(d) Community District 9, Brooklyn

Notwithstanding any other provisions of this Resolution, in #Mandatory Inclusionary Housing areas# within the portion of Community District 9 in the Borough of Brooklyn, on the #block# bounded by Montgomery Street, Washington Avenue, Sullivan Place, and Franklin Avenue, any #building or other structure# hereafter constructed or any existing #building or other structure# hereafter relocated, #enlarged# or reconstructed shall comply with the provisions of Section [23-442](#)(b)(2), inclusive.

24-57 - Modifications of Height and Setback Regulations

LAST AMENDED
12/5/2024

R1 R2 R3 R4 R5 R6 R7 R8 R9 R10 R11 R12

In all districts, as indicated, for certain #community facility# #uses# in specified situations, the Board of Standards and Appeals may modify the regulations set forth in Sections [24-50](#) through [24-55](#), inclusive, and paragraphs (b) and (c) of Section [24-56](#), relating to height and setback regulations, in accordance with the provisions of Section [73-64](#) (Modifications for Community Facility Uses).

In Community District 6 in the Borough of Brooklyn, the following #streets# shall be considered #narrow streets# for the purposes of applying height and setback regulations: Second, Carroll and President Streets, between Smith and Hoyt Streets; First Place, Second Place, Third Place and Fourth Place.

24-58 - Special Provisions for Zoning Lots Divided by District Boundaries

LAST AMENDED
12/5/2024

R1 R2 R3 R4 R5 R6 R7 R8 R9 R10 R11 R12

In all districts, as indicated, whenever a #zoning lot# is divided by a boundary between districts, or is subject to other regulations resulting in different height and setback regulations, or whenever a #zoning lot# is divided by a boundary between a district to which the provisions of Section [24-54](#) (Tower Regulations) apply and a district to which such provisions do not apply, the

provisions set forth in Article VII, Chapter 7, shall apply.

24-59 - Special Height Limitations

LAST AMENDED

12/5/2024

The provisions of this Section, inclusive, shall apply to #buildings# utilizing the #sky exposure plane# provisions of this Chapter. In no event shall such provisions apply to #buildings# that utilize the #residential# height and setback regulations of Section [23-40](#), inclusive.

24-591 - Limited Height Districts

LAST AMENDED

12/5/2024

R1 R2 R3 R4 R5 R6 R7 R8 R9 R10

In the districts indicated, within a #Limited Height District#, the maximum height of a #building or other structure#, or portion thereof, shall be as shown in the following table:

#Limited Height District#	Maximum Height above #Curb Level# or #Base Plane#, as applicable
LH-1	50 feet
LH-1A	60 feet
LH-2	70 feet
LH-3	100 feet

24-592 - Height limitations for narrow buildings or enlargements

LAST AMENDED

12/5/2024

R7-2 R8 R9 R10

In the districts indicated, the provisions of Section [23-738](#) (Height limitations for narrow buildings) shall apply to portions of #buildings# with #street walls# less than 45 feet in width.

24-60 - COURT REGULATIONS AND MINIMUM DISTANCE BETWEEN WINDOWS AND WALLS OR LOT LINES

LAST AMENDED

12/15/1961

24-61 - General Provisions and Applicability

LAST AMENDED

12/5/2024

R1 R2 R3 R4 R5 R6 R7 R8 R9 R10 R11 R12

In all districts, as indicated, the provisions set forth in Sections [24-62](#) to [24-66](#), inclusive, relating to Court Regulations and Minimum Distance between Windows and Walls or Lot Lines, shall apply only to #community facility buildings# or portions of #buildings# used for #community facility# #use# containing living accommodations with required windows. For the purposes of these Sections, a required window shall be deemed to be a window or part of a window that:

- (a) opens into any room used for living or sleeping purposes, other than a room in a hospital used for the care or treatment of patients; and
- (b) is required to provide adequate light or ventilation to such room by any applicable law or statute.

The provisions of Sections [24-62](#) through [24-66](#), inclusive, and [24-68](#) shall apply only to portions of #buildings# at or above the sill level of the lowest required window. For the purposes of these Sections, #abutting# #buildings# on a single #zoning lot# shall be considered a single #building#.

24-62 - Minimum Dimensions of Courts

LAST AMENDED

12/5/2024

R1 R2 R3 R4 R5 R6 R7 R8 R9 R10 R11 R12

In all districts, as indicated, the minimum distance between different walls of the same #building# shall conform to the regulations set forth in the following Sections:

Section [24-63](#) (Outer Court Regulations)

Section [24-64](#) (Inner Court Regulations)

Section [24-65](#) (Minimum Distance Between Required Windows and Walls or Lot Lines).

A corner of a #court# may be cut off between walls of the same #building#, provided that the length of the wall of such cut-off does not exceed seven feet.

The Commissioner of Buildings may approve minor recesses, projections and architectural treatment of the outline of #courts# as long as these variations do not substantially change the depth or width of the #court#.

24-63 - Outer Court Regulations

LAST AMENDED

12/5/2024

R1 R2 R3 R4 R5 R6 R7 R8 R9 R10 R11 R12

In all districts, as indicated, #outer courts# shall be in compliance with the provisions of this Section.

24-631 - Narrow outer courts

LAST AMENDED

12/5/2024

R1 R2 R3 R4 R5 R6 R7 R8 R9 R10 R11 R12

In all districts, as indicated, if an #outer court# is less than 20 feet wide, the width of such #outer court# shall be at least one and one-third the depth of such #outer court#.

24-632 - Wide outer courts

LAST AMENDED

12/5/2024

R1 R2 R3 R4 R5 R6 R7 R8 R9 R10 R11 R12

In all districts, as indicated, if an #outer court# is 20 feet or more in width, the width of such #outer court# must be at least equal to the depth of such #outer court#, except that such width need not exceed 40 feet.

24-633 - Outer court recesses

LAST AMENDED

12/5/2024

R1 R2 R3 R4 R5 R6 R7 R8 R9 R10 R11 R12

In all districts, as indicated, the width of an #outer court recess# shall be at least twice the depth of the recess, except that such width need not exceed 40 feet.

24-64 - Inner Court Regulations

LAST AMENDED

12/5/2024

R1 R2 R3 R4 R5 R6 R7 R8 R9 R10 R11 R12

In all districts, as indicated, #inner courts# shall be in compliance with the provisions of this Section.

24-641 - Minimum dimensions of inner courts

LAST AMENDED

12/5/2024

R1 R2 R3 R4 R5 R6 R7 R8 R9 R10

In all districts, as indicated, the area of an #inner court# shall not be less than 600 square feet, and the minimum dimension of such #inner court# shall not be less than 20 feet. For the purposes of this Section, that portion of an open area not part of an #inner court# and over which, when viewed from directly above, lines perpendicular to a #lot line# may be drawn into such #inner court#, shall be considered part of such #inner court#.

24-642 - Inner court recesses

LAST AMENDED

12/5/2024

R1 R2 R3 R4 R5 R6 R7 R8 R9 R10 R11 R12

In all districts, as indicated, the width of an #inner court recess#:

- (a) if 20 feet or less, shall be at least twice the depth of the recess; or
- (b) if more than 20 feet but less than 40 feet, shall be at least equal to the depth of the recess; and
- (c) need not be greater than 40 feet, whatever the depth of the recess.

24-65 - Minimum Distance Between Required Windows and Walls or Lot Lines

LAST AMENDED

12/5/2024

R1 R2 R3 R4 R5 R6 R7 R8 R9 R10 R11 R12

In all districts, as indicated, the minimum distance between required windows and walls or #lot lines# shall be as set forth in this Section, except that this Section shall not apply to required windows in #buildings# of three #stories# or less.

24-651 - General provisions

LAST AMENDED

12/5/2024

R1 R2 R3 R4 R5 R6 R7 R8 R9 R10 R11 R12

In all districts, as indicated, except as otherwise provided in Section [24-652](#) (Minimum distance between required windows and certain walls), the minimum distance between any required windows and:

- (a) any wall;
- (b) a #rear lot line#, or vertical projection thereof; or
- (c) a #side lot line#, or vertical projection thereof;

shall be 20 feet, measured in a horizontal plane at the sill level of, and perpendicular to, such window; provided, however, that a required window may open on any #outer court# meeting the requirements of Section [24-63](#) (Outer Court Regulations).

24-652 - Minimum distance between required windows and certain walls

LAST AMENDED

12/5/2024

R1 R2 R3 R4 R5 R6 R7 R8 R9 R10 R11 R12

In all districts, as indicated, the minimum horizontal distance between a required window opening on an #inner court# and any wall opposite such window on the same #zoning lot# or between a required window and any wall of any other #building# opposite such window on the same #zoning lot#, shall not be less than 20 feet, nor shall any such wall be nearer to such window than a distance equal to one-third the total height of such wall above the sill level of such window. Such minimum distance need not exceed 40 feet.

Such minimum distance shall be measured in a horizontal plane at the sill level of, and perpendicular to, the required window for the full width of the rough window opening between such window and a projection of such wall onto such horizontal plane.

For the purposes of this Section, at any level at which two portions of a single #building# are not connected one to the other, such portions shall be deemed to be two separate #buildings# and shall be subject to the provisions of this Section.

24-66 - Modifications of Court Regulations or Distance Requirements

LAST AMENDED

12/5/2024

R1 R2 R3 R4 R5 R6 R7 R8 R9 R10 R11 R12

In all districts, as indicated, for certain #community facility# #uses# in specified situations, the Board of Standards and Appeals may modify the regulations set forth in Sections [24-61](#) to [24-65](#), inclusive, relating to Court Regulations and Minimum Distance between Windows and Walls or Lot Lines, in accordance with the provisions of Section [73-64](#) (Modifications for Community Facility Uses).

24-67 - Permitted Obstructions in Courts

LAST AMENDED

12/5/2024

R1 R2 R3 R4 R5 R6 R7 R8 R9 R10 R11 R12

In all districts, as indicated, the obstructions permitted for any #yard# set forth in Section [23-311](#) (Permitted obstructions in all yards, courts and open areas), as well as the following, shall not be considered obstructions when located within a #court#. For the purposes of applying such allowances to #courts#, all percentage calculations shall be applied to the area of the #court# instead of the #yard#:

- (a) #Energy infrastructure equipment# and #accessory# mechanical equipment, subject to the requirements set forth in paragraph (g) of Section [23-312](#);
- (b) Fences;
- (c) Fire escapes in #inner courts#, where such fire escapes are required as a result of alterations in #buildings# existing before December 15, 1961;

Fire escapes in #outer courts#;

Fire escapes in #outer court recesses#, not more than five feet in depth;

Fire escapes in #outer court recesses#, more than five feet in depth, where such fire escapes are required as a result of alterations in #buildings# existing before December 15, 1961;

(d) Recreational or yard drying equipment;

(e) Steps.

In addition, for #courts# at a level higher than the first #story#, decks, skylights, parapet walls, roof thickness, solar energy systems up to four feet high, vegetated roofs, and weirs, as set forth in Section [24-51](#) (Permitted Obstructions), shall be permitted.