



Zoning Resolution

THE CITY OF NEW YORK

Eric Adams, Mayor

CITY PLANNING COMMISSION

Daniel R. Garodnick, Chair

118-31 - Modification of Street Wall Requirements

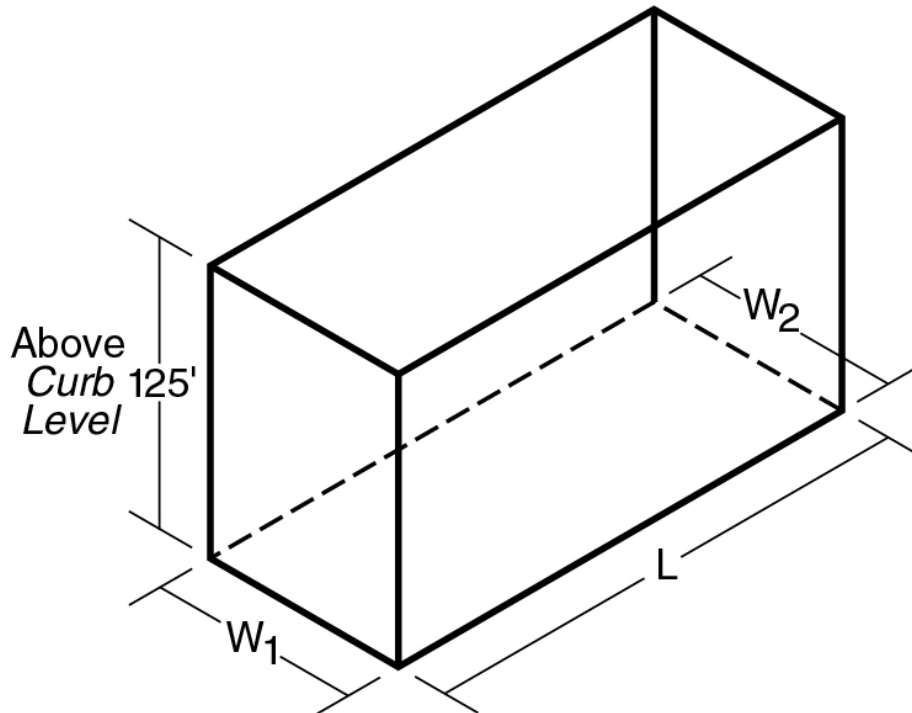
File generated by <https://zr.planning.nyc.gov> on 12/6/2024

118-31 - Modification of Street Wall Requirements

LAST AMENDED
2/2/2011

- (a) On a #zoning lot# where there is an existing #building# to remain, the requirements governing height and location of #street walls# shall not apply within a volume defined by the rear wall of the existing #building# (W_2), the #front lot line# (W_1), the prolongations of the side walls (L) and a height of 125 feet above #curb level#.

If, after January 10, 1985, any demolition or destruction occurs within the volume defined, the requirements governing #street wall# height shall apply.



L - Sidewall and prolongation of existing *building*

W_1 - *Front lot line*

W_2 - *Rear wall of existing building*

EXISTING BUILDING VOLUME FOR

MODIFICATION OF STREET WALL REQUIREMENTS

- (b) The City Planning Commission may authorize modifications in the required #street wall# location if the Commission finds that the existing #buildings#, or existing open areas serving existing #buildings# to remain on the #zoning lot#, would be adversely affected by the location of the #street walls# of the #development#, #enlargement# or alteration in a manner prescribed in paragraph (a) of this Section.