



Zoning Resolution

THE CITY OF NEW YORK

Eric Adams, Mayor

CITY PLANNING COMMISSION

Daniel R. Garodnick, Chair

62-30 - SPECIAL BULK REGULATIONS

File generated by <https://zr.planning.nyc.gov> on 10/14/2024

62-30 - SPECIAL BULK REGULATIONS

LAST AMENDED

4/22/2009

All #zoning lots# within #waterfront blocks# shall comply with the #bulk# regulations of this Section. For the purposes of this Section, non-#waterfront blocks# included in Waterfront Access Plan BK-1 shall be considered to be #waterfront blocks#. Existing #non-complying# #buildings or other structures# shall be subject to the provisions of Article V (Non-conforming Uses and Non-complying Buildings).

A change of #use# involving a #building or other structure# lawfully existing on October 25, 1993, shall be permitted in accordance with the applicable district #use# regulations, as modified by the provisions of this Chapter. Any #non-compliances# created with respect to the provisions of this Section due solely to the change of #use# shall be deemed to be existing #non-compliances#. However, no #enlargement# or other alteration of such #buildings or other structures# may be made which would either create a new #non-compliance# or increase the degree of #non-compliance# with respect to the provisions of this Section.

Modification of the #bulk# regulations of Sections [62-31](#), [62-32](#), [62-33](#) or [62-341](#) shall only be allowed by authorization or special permit of the City Planning Commission pursuant to Sections [62-837](#), [74-711](#), [74-74](#), [74-79](#), [78-00](#) or [79-00](#).

Provisions for modification of the #bulk# regulations on #piers# and #floating structures# are set forth in Sections [62-342](#) and [62-343](#).

In no event shall any #bulk# modification include modification of the provisions of paragraph (a) of Section [62-31](#) or the maximum #floor area ratio# for the applicable district set forth in Section [62-322](#).

62-31 - Bulk Computations on Waterfront Zoning Lots

LAST AMENDED

4/22/2009

On #waterfront zoning lots#, the areas of the #upland lot# and the #seaward lot# shall be computed separately.

(a) #Upland lot#

All #bulk# regulations pertaining to the #upland lot# shall be satisfied entirely on such portion of the #zoning lot#. All #floor area#, #dwelling units# or #rooming units# generated by such portion shall be located within the #upland lot# and all #lot coverage# computations shall be based solely on the area of the #upland lot#.

(b) #Seaward lot#

Within the #seaward lot#, only the #water coverage# of #piers# or #platforms# that are structurally sound and physically accessible directly from the shore, with a surface that is capable of lawful occupancy, shall be deemed to be #lot area# for the purposes of determining allowable #floor area#, #dwelling units# or #rooming units#, or to satisfy any other #bulk# regulations, unless expressly stated otherwise. In no event shall the #water coverage# of a #building or other structure# projecting over the water from a #pier# or #platform# be included in #lot area#. #Lot coverage# provisions shall not apply to the #seaward lot#.

Except where all #piers#, #platforms# or #floating structures# are occupied #predominantly# by WD #uses#, the maximum #water coverage# permitted on a #zoning lot# shall not exceed 50 percent and the #water coverage# of an #existing pier# or #platform# may not be increased by more than 10 percent.

(c) Special provisions for #bulk# distribution

#Floor area#, #dwelling units# or #rooming units# generated by #existing piers# or #platforms# within the #seaward lot# may be located anywhere on the #zoning lot# provided the amount on the #upland lot# does not exceed the maximum for the district on such portion of the #zoning lot# by more than 20 percent. No #bulk# distribution from the #seaward lot# shall be permitted for #new piers# or #platforms#, except within Waterfront Access Plan BK-1. Such #bulk# distribution shall be permitted for new portions of #piers# located within Waterfront Access Plan BK-1, provided that such new portion of the #pier# is accessed from a portion of an #existing pier# containing not less than 25 percent of the #water coverage# of such #existing pier# and that the #water coverage# of the new and existing portions of the #pier# does not exceed the #water coverage# of the #existing pier#.

62-32 - Maximum Floor Area Ratio and Lot Coverage on Waterfront Blocks

LAST AMENDED
10/25/1993

62-321 - Residential uses in R3, R4 and R5 Districts

LAST AMENDED
2/2/2011

The maximum #floor area ratio# and #lot coverage# for #residential buildings# or #residential# portions of #buildings# in R3, R4 and R5 Districts shall be in accordance with the applicable district regulations, except as provided in Section [62-323](#) (Affordable independent residences for seniors).

62-322 - Residential uses in R1, R2, R6, R7, R8, R9 and R10 Districts

LAST AMENDED
10/17/2017

For #residential buildings# or #residential# portions of #buildings# in R1, R2, R6, R7, R8, R9 and R10 Districts, the applicable regulations of Section [23-14](#) (Open Space and Floor Area Regulations in R1 Through R5 Districts) or Section [23-15](#) (Open Space and Floor Area Regulations in R6 Through R10 Districts), inclusive, shall not apply. In lieu thereof, the maximum #floor area ratio# and #lot coverage# on a #zoning lot# shall be as specified in the table below, except as provided for in Sections [23-154](#) (Inclusionary Housing), [62-323](#) (Affordable independent residences for seniors) and [62-35](#) (Special Bulk Regulations in Certain Areas Within Community District 1, Brooklyn):

MAXIMUM FLOOR AREA RATIO AND MAXIMUM LOT COVERAGE FOR RESIDENTIAL BUILDINGS OR RESIDENTIAL PORTIONS OF BUILDINGS

District	Maximum #Floor Area Ratio# ¹	Maximum #Lot Coverage# (in percent)
R1 R2	.50	35

R6B	2.00	60
R6	2.43	65
R6A R7B	3.00	65
R7-1 R7-2	3.44	65
R7A R8B	4.00	70
R7D	4.20	70
R7-3 R7X	5.00	70
R8 R8A R8X	6.02	70
R9 R9A	7.52	70
R9-1 R9X	9.00	70
R10	10.00 ²	70

- ¹ In #Inclusionary Housing designated areas# and in #Mandatory Inclusionary Housing areas#, the #floor area ratio# has been modified, pursuant to Section [23-154](#) or Section [62-35](#), inclusive
- ² In R10 Districts, the #floor area ratio# may be increased to a maximum of 12.0, pursuant to Section [23-154](#)

62-323 - Affordable independent residences for seniors

LAST AMENDED
2/2/2011

In the districts indicated in the following table, the maximum #floor area ratio# for #affordable independent residences for seniors# shall be as set forth in Sections [23-144](#) and [23-155](#), as applicable, and the maximum #lot coverage# shall be as specified in the following table.

MAXIMUM LOT COVERAGE FOR AFFORDABLE INDEPENDENT RESIDENCES FOR SENIORS

District	Maximum #Lot Coverage# (in percent)

R3	55
R4	55
R5	60
R5D R6B	60
R6 R6A R7B	65
R7 R7A R7D R7X	70
R8 R9 R10	70

Where different maximum percentages of #lot coverage# apply to #residential# and #community facility# #uses#, the higher #lot coverage# shall be applied to any level containing both such #uses#. Furthermore, the maximum percent of #lot coverage# for #community facility# #uses# located below the level of #residential uses# need not be lower than the maximum percent of #lot coverage# permitted for such #residential uses#.

62-324 - Community facility and commercial uses in Residence Districts

LAST AMENDED
10/7/2021

In #Residence Districts#, for any #community facility building# or #community facility# portion of a #building# on a #zoning lot#, the following regulations shall apply:

- (a) The maximum #floor area ratio# shall be in accordance with the applicable district regulations, except that no #floor area# bonuses shall apply. In R7-3 and R9-1 Districts, the maximum #floor area ratio# shall be the maximum permitted for #residential buildings# pursuant to Section [62-322](#) (Residential uses in R1, R2, R6, R7, R8, R9 and R10 Districts). For #developments# or #enlargements# on #qualifying transit improvement sites#, a #floor area# bonus for #mass transit station# improvements may be granted by the City Planning Commission pursuant to the provisions of Section [66-51](#) (Additional Floor Area for Mass Transit Station Improvements). No other #floor area# bonuses shall apply. For the purposes of this paragraph, defined terms additionally include those in Section [66-11](#) (Definitions).
- (b) The maximum percent of #lot coverage# specified in Section [24-11](#) (Maximum Floor Area Ratio and Percentage of Lot Coverage) shall not apply. In lieu thereof, the following #lot coverage# regulations shall apply to #community facility buildings# or to that portion of a #building# used for a #community facility# #use#:

MAXIMUM LOT COVERAGE FOR COMMUNITY FACILITIES

District	Maximum #Lot Coverage# (in percent)
----------	--

R1 R2 R3 R4 R5	60
R6B	65
R6 R6A R7B R7-1	70
R7-2 R7-3 R7A R7D R7X R8 R9A	75
R9 R9-1 R9X R10	80

Any portion of a #building# at any height up to but not exceeding 23 feet above the #base plane# may be excluded in determining the percent of #lot coverage# set forth in the table in this Section.

In #Special Mixed Use Districts#, #lot coverage# requirements shall not apply to #community facility# #uses#.

In #Residence Districts#, when permitted, #commercial buildings# or #buildings# used partly for #commercial# #use#, shall comply with the regulations for #residential buildings# as set forth in Sections [62-321](#) and [62-322](#).

The maximum #floor area ratio# permitted for a #community facility# #use# shall be in accordance with the applicable district regulations, and the maximum #floor area ratio# permitted for a #residential use# shall be as set forth in this Section, provided the total of all such #floor area ratios# does not exceed the greatest #floor area ratio# permitted for any such #use# on the #zoning lot#.

Where different maximum percentages of #lot coverage# apply to #residential# and #community facility# #uses#, the higher #lot coverage# shall be applied to any level containing both such #uses#. Furthermore, the maximum percent of #lot coverage# for #community facility# #uses# located below the level of #residential uses# need not be lower than the maximum percent of #lot coverage# permitted for such #residential uses#.

62-325 - Buildings in Commercial Districts

LAST AMENDED
10/7/2021

In #Commercial Districts#, for any #commercial# or #community facility# #uses# on a #zoning lot#, the maximum #floor area ratio# shall be in accordance with the applicable district regulations, except:

- (a) no #floor area# bonuses shall be permitted except as permitted pursuant to the provisions of paragraph (c) of this Section;
- (b) the #floor area ratio# on a #zoning lot# shall not exceed 10.0; and
- (c) for #developments# or #enlargements# on #qualifying transit improvement sites#, a #floor area# bonus for #mass transit station# improvements may be granted by the City Planning Commission pursuant to the provisions of Section [66-51](#) (Additional Floor Area for Mass Transit Station Improvements). For the purposes of this paragraph, defined terms additionally include those in Section [66-11](#) (Definitions).

For #residential buildings# and #residential# portions of #mixed buildings#, the maximum #floor area ratio# and #lot coverage# applicable to #residential buildings# set forth in Sections [62-321](#) through [62-323](#) shall apply as set forth for the applicable

#Residence District# and its corresponding #Commercial District# in Section [35-23](#) (Residential Bulk Regulations in Other C1 or C2 Districts or in C3, C4, C5 or C6 Districts).

62-326 - Buildings in Manufacturing Districts

LAST AMENDED

10/7/2021

In #Manufacturing Districts#, for any #zoning lot#, the maximum #floor area ratio# shall be in accordance with the applicable district regulations. However, for #developments# or #enlargements# on #qualifying transit improvement sites#, a #floor area# bonus for #mass transit station# improvements may be granted by the City Planning Commission pursuant to the provisions of Section [66-51](#) (Additional Floor Area for Mass Transit Station Improvements). For the purposes of this paragraph, defined terms additionally include those in Section [66-11](#) (Definitions).

62-327 - Maximum floor area ratio for a mixed use building in a Special Mixed Use District

LAST AMENDED

2/2/2011

The maximum #floor area ratio# for #zoning lots# containing a #mixed use building# in a #Special Mixed Use District# shall be in accordance with the provisions of Section [123-64](#) (Maximum Floor Area Ratio and Lot Coverage Requirements for Zoning Lots Containing Mixed Use Buildings).

62-33 - Special Yard Regulations on Waterfront Blocks

LAST AMENDED

6/6/2024

#Yard# regulations for #zoning lots# shall be governed by the provisions of this Section. For #developments# containing WD #uses# or, in C8 or #Manufacturing Districts# without an A suffix, #developments# comprised predominantly of #uses# listed under Use Groups IV(B), IX or X, or for #developments# on #zoning lots# that are not #waterfront zoning lots#, #yards# shall be provided in accordance with the applicable district regulations. For all other #developments#, #yards# shall be provided in accordance with the provisions of Sections [62-331](#) (Front yards and side yards) and [62-332](#) (Rear yards and waterfront yards), except that no #yard# regulations shall be applicable on #piers# or #floating structures# nor may #piers# or #floating structures# be used to satisfy any #yard# requirements.

62-331 - Front yards and side yards

LAST AMENDED 7/26/2001

#Front yards# and #side yards# shall be provided on #zoning lots# within #waterfront blocks# in accordance with applicable district regulations, except that:

- (a) any #rear lot line# of a #waterfront zoning lot# that intersects the #shoreline# shall be deemed to be a #side lot line# and be subject to #side yard# regulations; and
- (b) #side yard# regulations shall be inapplicable along #side lot lines# that are coincident with or seaward of the #shoreline#. In lieu thereof, a #waterfront yard# shall be provided in accordance with the provisions of Section 62-332.

62-332 - Rear yards and waterfront yards

LAST AMENDED

5/12/2021

#Rear yard# regulations shall be inapplicable on #waterfront zoning lots#. In lieu thereof, a #waterfront yard# shall be provided along the entire length of the #shoreline#, bulkhead or stabilized natural shore, whichever is furthest landward. In addition, the following rules shall apply to the #waterfront yard#:

(a) Depth of the #waterfront yard#

The required minimum depth of a #waterfront yard# is set forth in the following table. Column A sets forth districts where the minimum depth is 30 feet, and Column B sets forth districts where the minimum depth is 40 feet. Such minimum depths shall be measured from the landward edge of the bulkhead, landward edge of stabilized natural shore, or, in the case of natural #shorelines#, the mean high water line.

Where a #platform# projects from the #shoreline#, stabilized natural shore, or bulkhead (see illustration below of Waterfront Yard), such #waterfront yard# shall, in lieu of following the shore at that portion, continue along the water edge of such #platform# until it again intersects the #shoreline#, stabilized natural shore, or bulkhead, at which point it shall resume following the #shoreline#, stabilized natural shore, or bulkhead.

WATERFRONT YARD DEPTH FOR ALL DISTRICTS

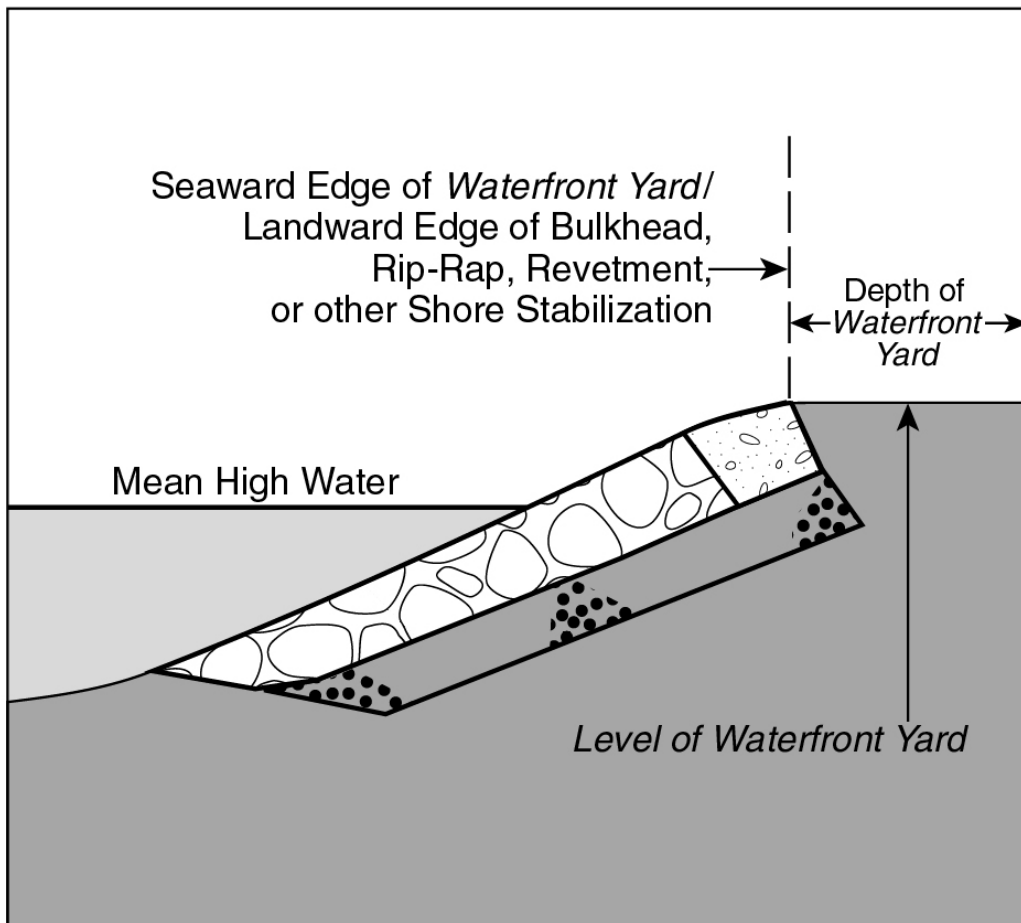
Column A	Column B
Districts with 30 Foot Requirement	Districts with 40 Foot Requirement
R1 R2 R3 R4 R5	R6 R7 R8 R9 R10
C1 C2 mapped in R1 R2 R3 R4 R5	C1 C2 mapped in R6 R7 R8 R9 R10
C3	C1-6 C1-7 C1-8 C1-9 C2-6 C2-7 C2-8 C4 C5 C6 C7 C8 M1 M2 M3

The minimum depth set forth in the preceding table may be reduced at the following locations provided no #waterfront yard# is reduced to less than 10 feet:

- (1) Along those portions of the landward edge of stabilized shore, bulkhead, natural #shoreline# or along those portions of the water edge of a #platform#, having a lot dimension, measured perpendicular to and landward from such edge, that is less than 70 feet in the case of districts in Column A or 80 feet in

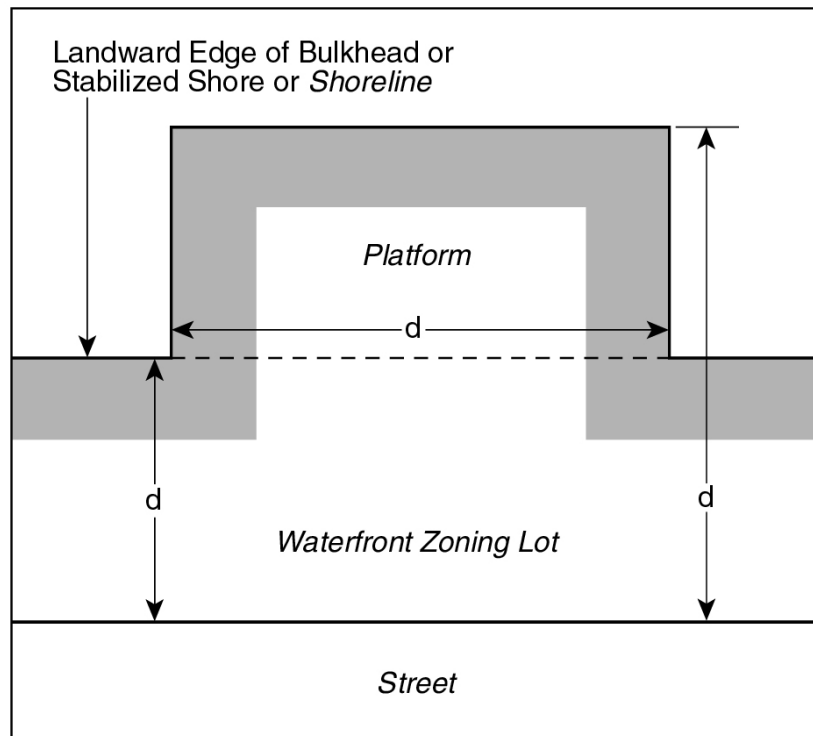
the case of districts in Column B. For such shallow portions of lots, the minimum depth may be reduced by one foot for each foot that the lot dimension measured from such edge is less than 70 or 80 feet, as applicable.

- (2) Along those portions of the water edge of a #platform# having a dimension, measured perpendicular from such water edge to an opposite water edge that is less than 100 feet in the case of districts in Column A or 120 feet in the case of districts in Column B. For such narrow portions of #platforms#, the minimum depth along each opposite edge may be reduced by one-half foot for each foot that the #platform# dimension is less than 100 or 120 feet, as applicable.
- (3) Where a #tidal wetland area# is provided, the depth of the #waterfront yard# may be reduced by a foot for every foot of stabilized natural shore or intertidal planting area beyond the landward edge of the bulkhead, stabilized natural shore or #shoreline# up to seven feet. Such reduction in depth shall not extend along more than 30 percent of the #shoreline# of the #waterfront zoning lot#.



WATERFRONT YARD AT STABILIZED SHORELINE

(62-332a.1)



d Dimension for Determining Minimum Depth or Width of *Waterfront Yard* on Narrow/Shallow Lots and *Platforms*

 *Waterfront Yard*

WATERFRONT YARD

(62-332a.2)

(b) The level of the #waterfront yard#

The level of required #waterfront yards# shall not be higher than the elevation of the top of the adjoining existing bulkhead, existing stabilized natural shore or mean high water line, as applicable, except that natural grade level need not be disturbed in order to comply with this requirement.

The level of the portion of a #waterfront yard# on a #platform# shall not be more than three feet higher than the abutting level of the non-platformed portion of the #waterfront yard#, of which it is the continuation, except that the level of a #platform# existing on October 25, 1993 need not be altered in order to comply with this requirement.

However, the level of the #waterfront yard# may be modified as follows:

- (1) For #zoning lots# not required to provide #waterfront public access areas# pursuant to Section [62-52](#) (Applicability of Waterfront Public Access Area Requirements), the level of #waterfront yards# may be raised either to:
 - (i) the #flood-resistant construction elevation# or six feet above #shoreline#, whichever is higher; or
 - (ii) a higher elevation, provided that the #waterfront yard# complies with the applicable provisions of paragraph (b)(2) of this Section, depending on the condition of the shared #lot line#.
- (2) For #zoning lots# with required #waterfront public access areas# pursuant to Section [62-52](#), the level of #waterfront yards# may be raised to a higher elevation, provided that such elevated #waterfront yard# complies

with the following provisions, depending on the condition of the adjacent #zoning lot# :

- (i) where a #waterfront yard# adjoins a #street#, #public park#, or #waterfront public access area# on an adjacent #zoning lot#, the level of the #waterfront yard# within 15 feet of the shared #lot line# shall not exceed three feet above the level of the adjoining #street#, #public park# or #waterfront public access area#, and the width of the circulation path at the #lot line# is greater than that required by paragraph (a) of Section [62-62](#) (Design Requirements for Shore Public Walkways and Supplemental Public Access Areas). However, the elevation of the required circulation path shall be no higher than the grade of the adjacent #street#, #public park#, or #zoning lot# at the #lot line#.
- (ii) where a #waterfront yard# does not adjoin a #street#, #public park#, or #waterfront public access area# on an adjacent #zoning lot#, the level of the #waterfront yard# at the shared #lot line#, may exceed the level of the adjacent #zoning lot#:
 - (a) up to a maximum of six feet above the #shoreline#; or
 - (b) to a level higher than six feet above the #shoreline#, where the Chairperson of the City Planning Commission certifies, pursuant to Section [62-811](#) (Waterfront public access and visual corridors) that:
 - (1) the applicant has submitted a plan indicating the proposed level of the #waterfront yard# at the #lot line# of adjacent #zoning lots# and the level of such adjacent #zoning lots# adjacent to the #waterfront yard#; and
 - (2) submitted proof of a legal instrument, executed by the fee owner of any #zoning lot# that is adjacent to the subject #waterfront yard#, and binding upon all necessary parties in interest, that the owner will develop a #waterfront public access area# with a grade that meets that of the adjacent #zoning lots# based on the proposed level of the subject #waterfront yard# as reflected in the submitted plan. Such legal instrument shall run with the land and shall be recorded against all affected parcels of land.

(c) Permitted obstructions

No #building or other structure# shall be erected above the lowest level of a #waterfront yard#. Permitted obstructions in #waterfront yards# in all districts shall include permitted obstructions as listed in Sections [23-44](#) (Permitted Obstructions in Required Yards or Rear Yard Equivalents) and [62-611](#), except that enclosed #accessory# off-street parking spaces and walls exceeding four feet in height shall not be permitted. Where any power systems, including, but not limited to, generators, solar energy systems, fuel cells, batteries and other energy storage systems, are located in a #front yard#, the entire width of the portion of such equipment facing a #street#, whether open or enclosed, shall be fully screened by vegetation.

In addition, the following #rear yard# obstructions shall not be permitted except when #accessory# to #single-# or #two-family residences# in #detached#, #semi-detached# or #zero lot line buildings#:

Balconies, unenclosed;

Greenhouses, non-commercial, #accessory#;

Parking spaces, off-street, open or enclosed, #accessory#;

Swimming pools, #accessory#;

Terraces or porches, open.

62-34 - Height and Setback Regulations on Waterfront Blocks

LAST AMENDED

6/6/2024

Height and setback regulations for #zoning lots# within #waterfront blocks# shall be governed by the provisions of this Section. However, airports, heliports, seaplane bases and, in C8 or #Manufacturing Districts#, #developments# comprised #predominantly# of WD #uses# or #uses# listed under Use Group IV(B), IX or X shall be exempt from the requirements of this Section.

62-341 - Developments on land and platforms

†

LAST AMENDED

6/6/2024

All #developments# on portions of a #zoning lot# landward of the #shoreline# or on #platforms# shall be subject to the height and setback provisions of this Section. However, when the seaward view from all points along the #shoreline# of a #zoning lot# is entirely obstructed by existing elevated roads, bridges or similar structures which are less than 50 feet above mean high water and within 200 feet of the #shoreline#, #developments# shall be exempt from the requirements of this Section. Height and setback regulations for #developments# on #piers# and #floating structures# are set forth in Sections [62-342](#) and 62-343.

(a) For the purposes of applying the height and setback regulations of this Section, the following provisions shall apply:

(1) #Street lines#

For the purposes of paragraphs (c) and (d) of this Section and of paragraph (h) of Section [62-354](#), a #shore public walkway#, #visual corridor#, #upland connection# or #supplemental public access area# shall be considered a #street# and its boundary shall be treated as a #street line#. Any #visual corridor# or #upland connection# that measures at least 75 feet in width, or any #shore public walkway# or #supplemental public access area#, shall be considered a #wide street#. Any other #visual corridor# or #upland connection# shall be considered a #narrow street#.

(2) #Initial setback distance#

For the purposes of paragraph (c) of this Section, an #initial setback distance# shall be a horizontal distance measured for a depth of 15 feet from a #narrow# #street line# and 10 feet from a #wide# #street line#. However, an #initial setback distance# shall have a depth of 30 feet from the boundary of a #shore public walkway#. Wherever a #supplemental public access area# is provided as a widened #shore public walkway#, such widened area shall be included in the #initial setback distance#.

(3) Measurement of height

The height of all #buildings or other structures# on #waterfront blocks# shall be measured from the #base plane#, except where modified by the provisions of Article VI, Chapter 4. For #buildings# with pitched roofs,

maximum #building# height shall be measured to the midpoint of such pitched roof, except for #buildings# subject to Section [23-631](#) (General provisions).

(4) Permitted obstructions

The obstructions permitted pursuant to Sections [23-62](#), inclusive, [24-51](#), [33-42](#) or [43-42](#) and, where applicable, Sections [64-331](#), [64-332](#) or [64-432](#), shall apply. In addition, the following regulations regarding permitted obstructions shall apply:

- (i) Within an #initial setback distance#, a dormer may exceed a maximum base height specified in Table A of this Section or penetrate a required setback area above a maximum base height specified in paragraph (d) of this Section, provided that such dormer complies with the provisions of paragraph (c)(1) of Section 23-623.
- (ii) A penthouse portion of a #building# shall be permitted to exceed the applicable maximum #building# height, specified in Table A, by not more than 40 feet, only if the gross area of any #story# within such portion has a #lot coverage# of at least 50 percent and not more than 85 percent of the highest #story# that is located entirely below the maximum #building# height. Such reduced #lot coverage# shall be achieved by one or more setbacks on each face of the penthouse portion, where at least one setback on each face has a depth of at least four feet and a width that, individually or in the aggregate, is equal to at least 10 percent of the width of such respective face. For the purposes of this paragraph, (a)(4)(ii), the penthouse portion shall have four faces, with each face being the side of the rectangle within which the outermost walls of the highest #story# located entirely below the maximum #building# height have been inscribed. The required setbacks shall be measured from the outermost walls of the #building# facing each penthouse portion face. Required setback areas may overlap.
- (iii) Wind energy systems

Regulations governing wind energy systems are modified pursuant to this paragraph, (a)(4)(iii).

In R6 through R10 Districts, #Commercial Districts#, other than C1 or C2 Districts mapped within R1 through R5 Districts and C4-1 and C8-1 Districts, and #Manufacturing Districts#, other than M1-1 Districts, wind energy systems located on a roof of a #building# shall not exceed a height equivalent to 50 percent of the height of such portion of the #building# or 55 feet, whichever is less, as measured from the roof to the highest point of the wind turbine assembly.

In C4-1, C8-1 and M1-1 Districts, for #buildings# containing #commercial# or #community facility# #uses#, wind energy systems shall not exceed a height of 55 feet when located above a roof of the #building# as measured to the highest point of the wind turbine assembly.

In all districts, no portion of a wind energy system may be closer than 10 feet to a #waterfront public access area# boundary or a #zoning# #lot line#.

(b) Lower density districts

R1 R2 R3 R4 R5 C3 C4-1 C8-1 M1-1

In the districts indicated, and in C1 and C2 Districts mapped within such #Residence Districts#, the underlying district height and setback regulations are applicable or modified as follows:

- (1) #Buildings# containing #residences#

- (i) In R1 and R2 Districts, and in #Commercial Districts# governed by the #bulk# regulations of such #Residence Districts#, the underlying height and setback regulations shall not apply. In lieu thereof, no #building# containing #residences#, except for a #predominantly# #community facility building#, shall exceed a height of 35 feet.
- (ii) In R3, R4 and R5 Districts, and in #Commercial Districts# governed by the #bulk# regulations of such #Residence Districts#, the underlying height and setback regulations for #buildings# containing #residences# shall apply, except for #predominantly# #community facility buildings#.

(2) #Predominantly# #community facility buildings#

The underlying height and setback regulations shall not apply. In lieu thereof, any portion of a #predominantly# #community facility building# that exceeds a height of 35 feet shall be set back at least 25 feet from a #front yard line# or #street line#, where applicable, and no portion of such #building# shall exceed a height of 60 feet. However, within a #large-scale community facility development#, for portions of a #building# that are located at least 100 feet from a #street line# and, on a #waterfront zoning lot#, 100 feet from a #waterfront yard#, the maximum height shall not exceed 100 feet.

(3) #Buildings# containing #commercial# #uses#

The underlying height and setback regulations for #commercial# #uses# are modified as follows: no #building# containing #commercial# #uses# shall exceed a height of 30 feet, except for #mixed buildings# as set forth in paragraph (b)(1) of this Section or #predominantly# #community facility buildings# as set forth in paragraph (b)(2) of this Section.

(4) Other structures

All structures other than #buildings# shall be limited to a height of 35 feet, except that in C4-1, C8-1 and M1-1 Districts, freestanding wind energy systems shall be permitted to a height of 85 feet, as measured from the base plane to the highest point of the wind turbine assembly.

(c) Medium and high density non-contextual districts

R6 R7 R8 R9 R10

C1-6 C1-7 C1-8 C1-9 C2-6 C2-7 C2-8 C4-2 C4-3 C4-4 C4-5 C4-6 C4-7 C5 C6 C8-2 C8-3 C8-4

M1-2 M1-3 M1-4 M1-5 M1-6 M2 M3

Except for medium and high density contextual districts listed in paragraph (d) of this Section, in the districts indicated, and in C1 and C2 Districts mapped within such #Residence Districts#, the underlying height and setback regulations shall not apply. In lieu thereof, the height and setback regulations set forth in this Section shall apply.

(1) Maximum base height

Except for dormers permitted in accordance with paragraph (a)(4)(i) of this Section, the height of a #building or other structure# or portion thereof located within an #initial setback distance# may not exceed the maximum base height specified in Table A of this Section

(2) Maximum #building# height

Except for penthouses permitted in accordance with paragraph (a)(4)(ii) of this Section, the height of a #building or other structure# or portion thereof may not exceed the maximum #building# height specified in Table A.

(3) #Floor area# distribution

#Zoning lots# with #buildings# that exceed the maximum base height listed in Table A shall have a minimum #floor area# coverage comprising at least 30 percent of the #lot area# at a height of 20 feet. For the purposes of determining this requirement, the #lot area# of #waterfront zoning lots# shall be deemed to be the area of the #zoning lot# landward of the #shoreline#. In the event the site plan involves construction on only a portion of the #zoning lot#, sufficient calculations shall be provided to show that such partial construction does not preclude compliance with the minimum #floor area# coverage requirements of this Section at the time the site is fully developed.

(4) Maximum #residential# tower size

Each #residential# #story# of a #building# located entirely above the maximum base height specified in Table A shall not exceed a gross area of 7,000 square feet on #zoning lots# less than 1.5 acres, and 8,100 square feet on larger #zoning lots#. On all #zoning lots#, dormers permitted within an #initial setback distance# in accordance with the provisions of paragraph (a)(4)(i) of this Section shall not be included in such gross area.

(5) Maximum width of walls facing #shoreline#

The maximum width of any #story# of a #building# that faces a #shoreline# and is entirely above the maximum base height specified in Table A shall not exceed 100 feet. Such width shall be measured by inscribing within a rectangle the outermost walls at the level of each #story# entirely above the maximum base height. Any side of such rectangle from which perpendicular lines may be drawn to a #shoreline#, regardless of any intervening structures, properties or #streets#, shall not exceed 100 feet. (See illustration).

(6) Ground floor streetscape provisions

For the purposes of this Section, “ground floor level” shall mean the floor of a #building#, the level of which is located within five feet of the finished level of the adjacent sidewalk.

For #street walls# that are more than 50 feet in width and within 50 feet of a #waterfront public access area# or #street#, the following rules shall apply:

- (i) at least 50 percent of the width of such #street walls# shall be occupied by #floor area# at the ground floor level; and
- (ii) where such #street walls# do not contain windows with sill levels lower than four feet above the adjacent sidewalk for a continuous distance of at least 30 feet, such #street walls# shall be articulated with rustication or decorative grills, or screened with plant material, to a minimum height of four feet.

Parking garages that occupy the ground floor frontage along any #street# or private drive which is also an #upland connection# shall be screened in accordance with the planting requirements of paragraph (a)(7)(iii) of Section 62-655.

TABLE A

HEIGHT AND SETBACK FOR ALL BUILDINGS AND OTHER STRUCTURES IN
MEDIUM AND HIGH DENSITY NON-CONTEXTUAL DISTRICTS*

	Maximum Height (in feet)	
District	Maximum Base Height	Maximum Height of #Buildings or other Structures#
R6 C1 or C2 mapped within R6 C8-2 C8-3 M1-2 M1-4 M2-1 M2-3 M3	60	110
R7-1 R7-2 C1 or C2 mapped within R7-1 or R7-2 C1-6 C2-6 C4-2 C4-3 C4-4 C4-5	60	135
R7-3 C1 or C2 mapped within R7-3 C8-4 M1-3 M1-5 M2-2 M2-4	65	185
R8 C1 or C2 mapped within R8 C1-7 C6-1 C6-2	70	210
R9 C1 or C2 mapped within R9 C1-8 C2-7 C6-3	80	225
R9-1 C1 or C2 mapped within R9-1	90	280
R10 C1 or C2 mapped within R10 C1-9 C2-8 C4-6 C4-7 C5-1 C5-2 C5-3 C5-4 C5-5 C6-4 C6-5 C6-6 C6-7 C6-8 C6-9 M1-6	110	350

* For #predominantly# #community facility buildings#, the applicable regulations shall be determined from Table B of this Section

TABLE B

APPLICABLE HEIGHT AND SETBACK REGULATIONS FOR PREDOMINANTLY COMMUNITY FACILITY BUILDINGS

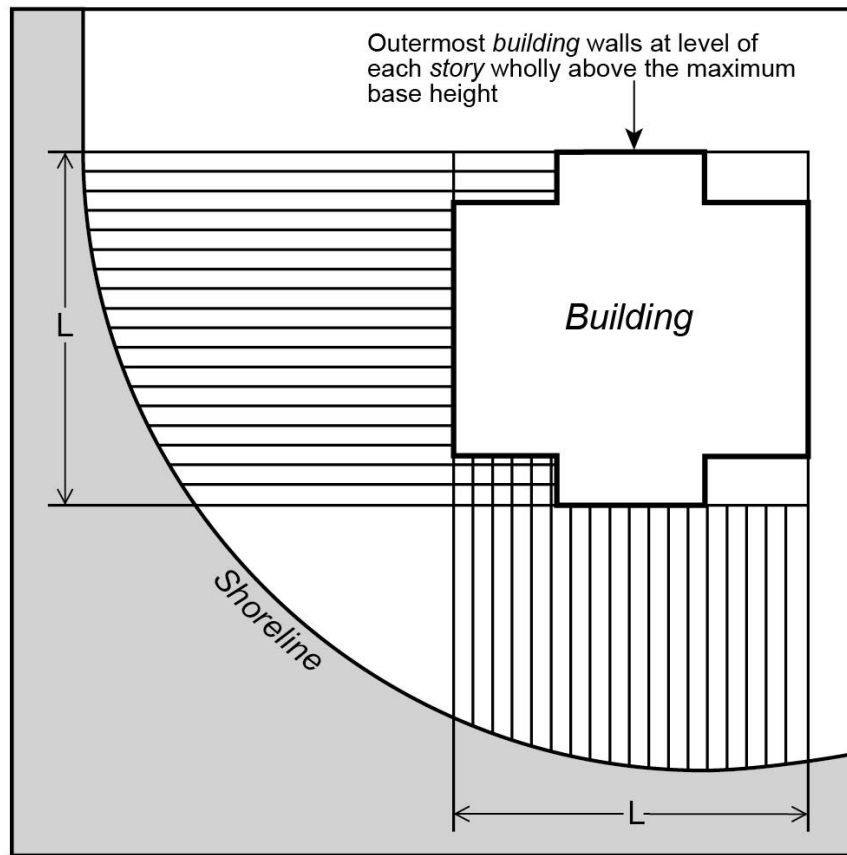
District in which #Predominantly# #Community Facility Building# is Located	Applicable Regulations from Table A
R6 R7-1 R7-3 C1 or C2 mapped within R6, R7-1 or R7-3 C4-2 C4-3 C8-2 M1-2	R7-3
R7-2 R8 C1 or C2 mapped within R7-2 or R8 C1-6 C1-7 C2-6 C4-4 C4-5 C6-1 C6-2 C8-3 C8-4 M1-3 M1-4 M1-5	R9
R9-1 C1 or C2 mapped within R9-1	R9-1
R9 R10 C1 or C2 mapped within R9 or R10 C1-8 C1-9 C2-7 C2-8 C4-6 C4-7 C5-1 C5-2 C5-3 C5-4 C5-5 C6-4 C6-5 C6-6 C6-7 C6-8 C6-9 M1-6	R10

(d) Medium and high density contextual districts

R6A R6B R7A R7B R7D R7X R8A R8B R8X R9A R9X R10A

C1-6A C1-7A C1-8A C1-8X C1-9A C2-6A C2-7A C2-7X C2-8A C4-2A C4-3A C4-4A C4-4L C4-5A C4-5D C4-5X
C4-6A C4-7A C5-1A C5-2A C6-2A C6-3A C6-4A

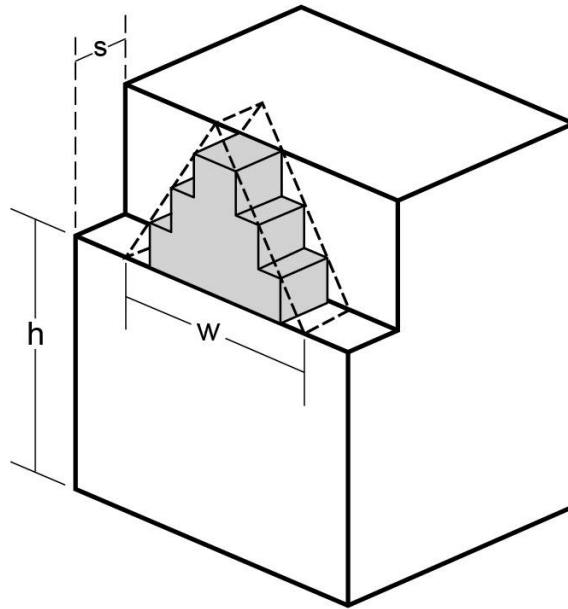
In the districts indicated, and in C1 and C2 Districts mapped within such #Residence Districts#, the height and setback regulations of Section [23-662](#) shall apply. For #Commercial Districts#, the applicable #Residence District# within which such #Commercial District# is mapped, or the applicable residential equivalent set forth in the tables in Section [35-23](#) (Residential Bulk Regulations in Other C1 or C2 Districts or in C3, C4, C5 or C6 Districts) shall be used in applying such provisions. In addition, in all applicable districts, for #buildings# meeting the criteria set forth in paragraph (a) of Section [23-664](#) (Modified height and setback regulations for certain Inclusionary Housing buildings or affordable independent residences for seniors), the height and setback provisions of paragraph (b) of Section [23-664](#) shall apply. Separate maximum #building# heights are set forth in Sections [23-662](#) and [23-664](#) for #Quality Housing buildings# with #qualifying ground floors# and for those with #non-qualifying ground floors#.



L - Maximum width of *building* wall (100 feet)

MAXIMUM WIDTH OF BUILDING WALL FACING SHORELINE

(62-341d.1)



h - Maximum base height

s - Required setback or *initial setback distance*

w - Maximum width of dormer at maximum base height (60% of *street wall* width of highest story entirely below maximum base height)

 Dormer

DORMER
(62-341d.2)

(e) C7 Districts and #Manufacturing Districts# with an A suffix

In the districts indicated, the height and setback regulations of Section [33-46](#) (Height and Setback Provisions for C7 Districts) shall apply.

62-342 - Developments on piers

LAST AMENDED
2/2/2011

In all districts, the underlying height and setback regulations shall be inapplicable to #developments# on #piers#. In lieu thereof, the provisions of this Section shall apply.

The #base plane# of a #pier# shall be the elevation of the finished surface of the #pier#, below which no portion of a #building or other structure# penetrates, except for the supporting structure, plumbing or utility lines. In the event portions of a #pier# have different surface elevations, the surface elevation of at least 50 percent of the #pier# shall be used to establish the #base plane#.

The height of all #buildings or other structures# on #piers# shall be measured from the #base plane#. For #buildings# with pitched roofs, maximum #building# height shall be measured to the midpoint of such pitched roof.

The obstructions permitted pursuant to Sections [23-62](#), [24-51](#), [33-42](#) or [43-42](#) shall apply. In addition, a dormer may penetrate a required setback area above a height of 30 feet provided the aggregate width of dormers on any given #building# wall does not exceed 50 percent of the width of such #building# wall.

(a) Height and setback regulations on #piers#

The height of a #building or other structure# on a #pier# shall not exceed 30 feet. However, where a setback at least 15 feet deep is provided, the maximum height of a #building or other structure# shall be 40 feet. Such required setback shall be provided at a minimum height of 25 feet and a maximum height of 30 feet, and may be reduced to 10 feet in depth along any portion of the #building or other structure# fronting on an open area of the #pier# having a dimension of at least 40 feet measured perpendicular to such fronting portion. In addition, wind energy systems shall be allowed, provided such a system does not exceed a height of 85 feet, as measured from the base plane to the highest point of the wind turbine assembly or, when located above a roof of the #building#, a height of 55 feet, as measured to the highest point of the wind turbine assembly, whichever is higher.

(b) #Building# width and spacing regulations on #piers#

The maximum length or width of any #building or other structure# on a #pier# shall be 200 feet. The provisions of Section [23-70](#) (MINIMUM REQUIRED DISTANCE BETWEEN TWO OR MORE BUILDINGS ON A SINGLE ZONING LOT) shall be inapplicable on #piers#. In lieu thereof, the minimum distance on a #pier# between any two #buildings or other structures# that do not #abut# shall be 100 feet. However, such limitations shall not apply to any #building or other structure#, no portion of which exceeds 30 feet in height.

Permitted obstructions above the #base plane# within such required open areas between #buildings or other structures# shall be limited to those allowed above the lowest level of a #visual corridor# pursuant to Section [62-513](#) (Permitted obstructions in visual corridors), except that freestanding #accessory# #buildings or other structures# shall also be permitted provided they do not exceed a height of 30 feet and a total area, in aggregate, of 900 square feet. A minimum spacing of 15 feet shall be provided between such #accessory# #buildings or other structures# and any other #building or other structure# on the #pier#.

(c) Modification of #pier# #bulk# regulations

Modification of the regulations of this Section involving the height and setback or width and spacing of #buildings or other structures# on #piers# shall only be allowed by special permit of the City Planning Commission pursuant to Section [62-835](#) (Developments on piers or platforms), [74-711](#) (Landmark preservation in all districts) or [74-79](#) (Transfer of Development Rights From Landmark Sites).

62-343 - Developments on floating structures

LAST AMENDED
6/6/2024

In all districts, the underlying height and setback regulations shall be inapplicable to #developments# on #floating structures#, except for WD #uses# in C8 and #Manufacturing Districts#. In lieu thereof, the provisions of this Section shall apply.

#Base plane# shall be inapplicable for #floating structures#. Height shall be measured from the water line of the #floating structure# to the highest point of the roof or uppermost open deck. However, the following obstructions are permitted to penetrate a height limit:

Chimneys, flues or stacks;

Flagpoles, aerials or masts;

Parapet walls or safety enclosures, not more than four feet high; and

Wire, chain link or other transparent fences.

#Developments# permitted as-of-right pursuant to Section [62-25](#) shall not exceed a height of 23 feet. #Developments# on #floating structures# pursuant to the special permit provisions of Section [62-834](#) shall not exceed the height limits set forth in Column A of the table in this Section, except for navigational vessels being repurposed as #floating structures# in accordance with such special permit provisions. Such repurposed vessels shall be subject to the height limits set forth in Column B of the table.

HEIGHT LIMITS FOR FLOATING STRUCTURES

			Column A	Column B
#Residential District#	#Commercial District#	#Manufacturing District#	Maximum Structure Height	Maximum Height of Repurposed Vessels
R1 thru R5	C1 or C2 mapped in R1 thru R5 C3	-	23 ft.	40 ft.
R6	C1 or C2 mapped in R6 C4-1 C7-1 C7-2 C8-1 C8-2 C8-3	M1-1 M1-2 M1-4 M1-1A M1-2A M2-1 M2-3 M2-1A M2-2A M3-1 M3-2	40 ft.	60 ft.

R7 R8	C1 or C2 mapped in R7 or R8 C1-6 C1-7 C2-6 C4-2 C4-3 C4- 4 C4-5 C6-1 C6-2 C7-3 C7-4 C8-4	M1-3 M1-5 M1-3A M1-4A M2-2 M2-4 M2-3A M2-4A	50 ft.	70 ft.
R9 R10	C1 or C2 mapped in R9 or R10 C1-8 C1-9 C2-7 C2-8 C4-6 C4-7 C5 C6-3 C6-4 C6- 5 C6-6 C6-7 C6-8 C6-9 C7-5 C7-6 C7- 7 C7-8 C7-9	M1-6 M1-5A M1- 6A M1-7A M1- 8A M1-9A	60 ft.	150 ft.

62-35 - Special Bulk Regulations in Certain Areas Within Community District 1, Brooklyn

LAST AMENDED
7/29/2010

On #waterfront blocks# in #Inclusionary Housing designated areas# in Community District 1, Borough of Brooklyn, the special #bulk# regulations of this Chapter are further modified as set forth in this Section, inclusive.

62-351 - Special floor area regulations

LAST AMENDED
12/19/2013

(a) Maximum permitted #floor area ratio#

In R6 Districts, the maximum permitted #floor area ratio# for any #zoning lot# containing #residences# shall be 2.43.

In R7-3 Districts, the maximum permitted #floor area ratio# for any #zoning lot# containing #residences# shall be 3.75.

In R8 Districts, the maximum permitted #floor area ratio# for any #zoning lot# containing #residences# shall be 4.88.

In R6, R7-3 and R8 Districts, the maximum permitted #floor area ratio# for any #zoning lot# containing #residences# may be increased for #developments# and #enlargements# that provide #affordable housing# pursuant to Section [62-352](#) (Inclusionary Housing).

(b) #Buildings# used for #accessory# off-street parking spaces

Within Waterfront Access Plan BK-1, the #floor area# of a #building# shall not include floor space used for #accessory# off-street parking spaces provided in any #story# located not more than 33 feet above the height of the #base plane#.

(c) Special regulations for Parcels 4 and 5e within Waterfront Access Plan BK-1

On Parcels 4 and 5e within Waterfront Access Plan BK-1, in the event that a property is #developed# as a #public park#, such property shall continue to be considered part of a #zoning lot# for the purposes of generating #residential# #floor area# based on the #residential# #floor area ratio# applicable to the property prior to its #development# as a #public park#. In no event shall the #floor area# generated by the property #developed# as a #public park# be utilized within the #public park#, but may be utilized pursuant to Section [62-353](#) (Special floor area, lot coverage and residential density distribution regulations). Floor space within any structure constructed pursuant to an agreement with the Department of Parks and Recreation within such #public park# shall be exempt from the definition of #floor area#.

(d) Special regulations for Parcel 5d within Waterfront Access Plan BK-1

On Parcel 5d within Waterfront Access Plan BK-1, up to 120,000 square feet of floor space within a public #school#, constructed in whole or in part pursuant to agreement with the New York City School Construction Authority and subject to the jurisdiction of the New York City Department of Education, shall be exempt from the definition of #floor area# and from #lot coverage# requirements for the purposes of calculating the permitted #floor area ratio# and #lot coverage# for #community facility# #uses# and the maximum #floor area ratio# and total permitted #lot coverage# of the #zoning lot#.

62-352 - Inclusionary Housing

LAST AMENDED

10/9/2013

The provisions of Section [23-90](#) (INCLUSIONARY HOUSING), inclusive, shall apply in #Inclusionary Housing designated areas# on #waterfront blocks# in Community District 1, Borough of Brooklyn, as modified in this Section.

(a) Definitions

For the purposes of this Section, matter in italics is defined in Sections [12-10](#) or [23-911](#) (General definitions).

(b) #Floor area compensation#

(1) For #zoning lots# located in R8 Districts, or located partially in R8 Districts and partially in R6 Districts, the

maximum permitted #floor area ratio# on such #zoning lots# may be increased in R6 Districts from 2.43 to 2.75, and in R8 Districts from 4.88 to 6.5; and for #zoning lots# located in R7-3 Districts, the maximum permitted #floor area ratio# on such #zoning lots# may be increased from 3.75 to 5.0, provided that:

- (i) the amount of #low income floor area# is equal to at least 20 percent of the total #floor area#, exclusive of ground floor non-#residential# #floor area#, on the #zoning lot#; or
 - (ii) the amount of #low income floor area# is equal to at least 10 percent of the total #floor area#, exclusive of ground floor non-#residential# #floor area#, on the #zoning lot#, and the #moderate income floor area# is equal to at least 15 percent of the total #floor area#, exclusive of ground floor non-#residential# #floor area#, on the #zoning lot#.
- (2) For #zoning lots# located entirely within R6 Districts, the maximum permitted #floor area ratio# may be increased from 2.43 to 2.75, provided that:
- (i) the amount of #low income floor area# is equal to at least 7.5 percent of the total #floor area#, exclusive of ground floor non-#residential# #floor area#, on the #zoning lot#; or
 - (ii) the amount of #low income floor area# is equal to at least five percent of the total #floor area#, exclusive of ground floor non-#residential# #floor area#, on the #zoning lot#, and the amount of #moderate income floor area# is equal to at least five percent of the total #floor area#, exclusive of ground floor non-#residential# #floor area#, on the #zoning lot#.
- (3) For #zoning lots# containing #residences# in R8 or C6-2 Districts, within a #large-scale general development# that is located in or partially within a C6 District, the #floor area# of a #zoning lot# may not exceed the base #floor area ratio# of 4.88, except that such #floor area# may be increased on a #compensated zoning lot# by 1.25 square feet for each square foot of #low income floor area# provided, or by 0.833 square feet for each square foot of #moderate income floor area# provided, up to a maximum #floor area ratio# of 6.5, provided that for each square foot of #floor area compensation# for #moderate income floor area#, there is one square foot of #floor area compensation# for #low income floor area#.

However, to receive such #floor area# increase, the amount of #low income floor area# plus two-thirds of the amount of #moderate income floor area# need not exceed 20 percent of the total #floor area# on all #zoning lots# in R8 or C6-2 Districts within the #large-scale general development#, exclusive of ground floor non-#residential# #floor area#, #floor area# within a #school# and #floor area# within a non-#residential building# that is vacant above the ground floor.

For the purposes of the calculations in this paragraph (b)(3), inclusive, an amount of #moderate income floor area# not exceeding 50,000 square feet may be considered #low income floor area#.

For the purposes of this paragraph (b), inclusive, #low income floor area# may be considered #moderate income floor area#.

Any #zoning lot# located entirely within an R6 District that, in conjunction with a #zoning lot# located partially or entirely within an R8 District, utilizes a distribution of #floor area#, #lot coverage# or #residential# density without regard to #zoning# #lot lines# or district boundaries pursuant to Section [62-353](#) (Special floor area, lot coverage and residential density distribution regulations), shall comply with the provisions of paragraph (b)(1) of this Section.

- (c) Permits and certificates of occupancy

The requirements of paragraphs (a) and (b) of Section [23-953](#) (Additional requirements for compensated developments and MIH developments) shall be modified as follows:

No building permit for any portion of the #compensated development# that utilizes #floor area compensation# pursuant to paragraph (b) of this Section, or is located on any #story# that utilizes the increased height for #developments# that provide Inclusionary Housing as set forth in paragraph (b)(2) of Section [62-354](#) (Special height and setback regulations) shall be issued until #HPD# has issued a #permit notice# with respect to the #affordable housing# that generates such #floor area compensation#.

No temporary or permanent certificate of occupancy shall be issued for any portion of the #compensated development# that utilizes #floor area compensation# pursuant to paragraph (b) of this Section, or is located on any #story# that utilizes the increased height for #developments# that provide Inclusionary Housing as set forth in paragraph (b)(2) of Section [62-354](#), until #HPD# has issued a #completion notice# with respect to the #affordable housing#.

62-353 - Special floor area, lot coverage and residential density distribution regulations

LAST AMENDED
2/2/2011

Within any parcel identified in Section [62-931](#) (Waterfront Access Plan BK1: Greenpoint-Williamsburg), and with respect to any such parcels that are adjacent to each other and that are under single-fee ownership and with respect to which each party having any interest therein is a party in interest (as defined in paragraph (e) of the definition of a #zoning lot# in Section [12-10](#)) or with respect to which each party in interest (as defined in paragraph (f)(4) of the definition of a #zoning lot# in Section [12-10](#)) has executed a declaration declaring that the properties are to be developed as a single parcel or has waived its right to execute such declaration, the total #lot coverage# permitted pursuant to Section [62-322](#), the total #floor area# permitted pursuant to Sections [62-351](#) or [62-352](#) and the #residential# density permitted pursuant to Section [23-22](#), may be located anywhere within such parcel or between such parcels without regard to #zoning lot# #lines# or district boundaries provided that such location of #floor area#, #lot coverage# or #residential# density complies with Sections [62-31](#) (Bulk Computations on Waterfront Lots) and [62-34](#) (Height and Setback Regulations on Waterfront Blocks), as modified by Section [62-354](#) (Special height and setback regulations).

62-354 - Special height and setback regulations

LAST AMENDED
12/10/2013

Within Waterfront Access Plan BK-1, the provisions of Section [62-341](#) (Developments on land and platforms) are modified, as follows:

- (a) Paragraph (c)(1) (Maximum base height) shall be modified in R6 Districts to permit a maximum base height of 65 feet or six #stories#, whichever is less. However, for #buildings or other structures# located on a #zoning lot# with more than 100 feet of frontage on a #street# in an R6 District, at least 20 percent of such frontage shall not exceed a maximum base height of 55 feet or five #stories#, whichever is less.
- (b) Paragraph (c)(2) (Maximum #building# height) shall not apply. In lieu thereof, the provisions of this paragraph, (b), shall apply:
 - (1) The maximum #building# height in an R6 District shall be 65 feet or six #stories#, whichever is less, within 100 feet of Commercial Street, West Street, Dupont Street, Franklin Street and Kent Avenue. Beyond 100 feet of

such #streets# and any other portions of an R6 District, the maximum #building# height shall be 110 feet. In R8 Districts, the maximum #building# height shall be 190 feet, except that for #zoning lots# #developed# with multiple #buildings# or portions of #buildings# that exceed a height of 180 feet, not more than half of such #buildings# or portions of #buildings# may exceed a height of 190 feet, to a maximum #building# height of 290 feet. Such maximum #building# heights of 110 feet, 190 feet and 290 feet may be exceeded by a penthouse portion of a #building#, pursuant to the provisions of paragraph (b)(3) of this Section.

(2) For #developments# that provide #affordable housing# pursuant to Section [62-352](#) (Inclusionary Housing), the increased #floor area# permitted for such #developments# may exceed the height limits of an R8 District set forth in paragraph (b) of this Section, provided that the maximum #building# height shall be 260 feet, except that for #zoning lots# #developed# with multiple #buildings# or portions of #buildings# that exceed a height of 200 feet, not more than half of such #buildings# or portions of #buildings# may exceed a height of 260 feet to a maximum #building# height of 360 feet. Such maximum #building# heights of 260 feet and 360 feet may be exceeded by a penthouse portion of a #building#, pursuant to the provisions of paragraph (b)(3) of this Section.

(3) The maximum #building# height may be exceeded by a penthouse portion of a #building# with a height of not more than 40 feet, only if the gross area of any #story# within such portion has a #lot coverage# of at least 50 percent and not more than 85 percent of the highest #story# that is located entirely below the applicable maximum #building# height. Such reduced #lot coverage# shall be achieved by one or more setbacks on each face of the penthouse portion, where at least one setback on each face has a depth of at least four feet and a width that, individually or in the aggregate, is equal to at least 10 percent of the width of such respective face. For the purposes of paragraphs (b)(1) and (b)(2) of this Section, the penthouse portion shall have four faces, with each face being the side of the rectangle within which the outermost walls of the highest #story# located entirely below the maximum #building# height have been inscribed. The required setbacks shall be measured from the outermost walls of the #building# facing each penthouse portion face. Required setback areas may overlap.

(c) Paragraph (c)(3) (#Floor area# distribution) shall not apply.

(d) Paragraph (c)(4) (Maximum #residential# tower size) shall not apply. In lieu thereof, each #residential# #story# of a #building# located entirely above a height of 85 feet shall not exceed a gross area of 8,100 square feet in an R6 District and 11,000 square feet in an R8 District. However, in R8 Districts, for #buildings# where at least 20 percent of the total #floor area# is comprised of #affordable housing# pursuant to Section [62-352](#), each #residential# #story# of such #building# located entirely above a height of 100 feet shall not exceed a gross area of 11,000 square feet. If such #residential# #story# of a #building# is located partially in an R6 District and partially in an R8 District, it shall not exceed a gross area of 11,000 square feet and any portion located in an R6 District shall not exceed a gross area of 8,100 square feet.

(e) Paragraph (c)(5) (Maximum width of walls facing #shoreline#) shall not apply. In lieu thereof, the outermost walls of each #story# located entirely above a height of 85 feet shall be inscribed within a rectangle. The maximum length of any side of such rectangle that is parallel or within 45 degrees of being parallel to Kent Avenue, West Street or Commercial Street, whichever is closest, shall not exceed 110 feet. The maximum length of any other side of such rectangle shall not exceed 170 feet, except that for #buildings# where at least 20 percent of the total #floor area# is comprised of #affordable housing# pursuant to Section [62-352](#), such maximum length of 170 feet shall apply above a height of 100 feet.

(f) Paragraph (c)(6) (Ground floor streetscape provisions) shall not apply. In lieu thereof, all off-street parking spaces located within 50 feet of a #street#, a #visual corridor# containing a #private road# and a #shore public walkway#, #upland connection# or #supplemental public access area# and which are located on a #story# that is above the #base plane#, shall be within facilities that are located behind #commercial#, #community facility# or #residential# floor space so that no portion of such parking facility, other than entrances and exits, is visible from such #streets#, #visual corridors# or publicly accessible open spaces. Such floor space shall have a minimum depth of 25 feet. Up to five percent of such floor

space may be used for mechanical equipment provided that no floor space used for mechanical equipment is located within 15 feet of the #street wall# of the #building# below a height of 15 feet above the #base plane#, and that no exhaust vents are located on the #street wall# of the #building# below a height of 15 feet above the #base plane#. The remainder of such floor space shall be used for #commercial#, #community facility# or #residential# #floor area#. Seventy percent of the surface area of the facade of a facility containing parking spaces, which are not otherwise required to be behind such #floor area#, shall be composed of the same materials as the facade of the #building# in which it is located.

- (g) Any roof of a facility containing off-street parking spaces, not otherwise covered by a #building#, which is larger than 400 square feet, shall be landscaped. Up to five percent of such roof area may be used for mechanical equipment, provided that such mechanical equipment is screened from view by a fence which is at least 75 percent opaque or by at least three feet of dense planting. Up to 25 percent of such roof area may be accessible solely from an adjacent #dwelling unit# and the remaining roof area shall be accessible for the recreational use of the occupants of the #building# in which it is located. Hard surfaced areas shall not cover more than 60 percent of such roof area.
- (h) At least 70 percent of the width of the #street wall# of a #building# or #buildings# fronting on a portion of a #street#, #upland connection# or #visual corridor# that is not adjacent to a #shore public walkway# or #supplemental public access area# shall be located within eight feet of such #street line# and extend to a minimum height of 30 feet.
- (i) In addition to the applicable underlying #street# tree planting requirements, all #extensions# which increase the existing #floor area# by more than 10 percent, shall provide #street# trees in accordance with Section [26-41](#).
- (j) On Parcel 5d, the provisions of paragraphs (c)(1) and (c)(2) shall be modified for public #schools# constructed in whole or in part pursuant to an agreement with the New York City School Construction Authority and subject to the jurisdiction of the New York City Department of Education, as follows:
 - (1) the maximum base height provisions of paragraph (c)(1) shall not apply; and
 - (2) the maximum #building# height provisions of paragraph (c)(2) shall be modified to permit a maximum #building# height of 100 feet or six #stories#, whichever is less.

62-355 - Special yard regulations

LAST AMENDED
12/10/2013

On Parcel 5d within Waterfront Access Plan BK-1, the #yard# provisions of Section [24-36](#) (Minimum Required Rear Yards) shall not apply to public #schools# constructed in whole or in part pursuant to an agreement with the New York City School Construction Authority and subject to the jurisdiction of the New York City Department of Education.

62-356 - Special bulk regulations for zoning lots adjacent to public parks

LAST AMENDED
6/21/2017

On Parcel 12b within Waterfront Access Plan BK-1 in Section [62-931](#), any #lot line# that coincides with the boundary of a #public park# shall be considered to be a #street line# of a #wide street# for the purposes of applying all #bulk# regulations of this Resolution, except that the provisions of paragraphs (g) and (h) of Section [62-354](#) (Special height and setback regulations) shall not apply.

In lieu thereof, the #street wall# of any #building# fronting on a #lot line# that coincides with the boundary of a #public park#

shall be located at least eight feet from such #lot line#, except that any portion of a #building# containing a #legally required window# shall be located at least 28 feet from such lot line. No balconies shall be permitted on any #street wall# of such #building# facing a #public park#.

In addition, a wall, or if a wall is prohibited by the New York City Building Code, a fence, shall be provided along the #lot line# that coincides with the boundary of a #public park#. Such wall or fence shall be a minimum of six feet in height, except that any portion of such wall or fence facing a ground floor level #commercial# #use# in a #building# shall be a minimum of 10 feet in height. However, if the Commissioner of Buildings determines that such wall or fence located in a #Residence District# is subject to the provisions of Building Code Section 3112.1, exceptions (2) or (3), such wall or fence shall be a minimum of eight feet in height along the boundary of a #public park#.

At least 90 percent of the width of the #street wall# of a #building# or #buildings# fronting on Kent Street shall be located within eight feet of the #street line# and extend to a minimum height of 30 feet.