



## Zoning Resolution

THE CITY OF NEW YORK

Eric Adams, Mayor

CITY PLANNING COMMISSION

Daniel R. Garodnick, Chair

# **33-43 - Maximum Height of Walls and Required Setbacks**

File generated by <https://zr.planning.nyc.gov> on 4/22/2025

### 33-43 - Maximum Height of Walls and Required Setbacks

LAST AMENDED  
12/5/2024

C1 C2 C3 C4 C5 C6 C8

In the districts indicated, if the front wall or other portion of a #building or other structure# is located at the #street line# or within the #initial setback distance# set forth in this Section, the height of such front wall or other portion of a #building or other structure# shall not exceed the maximum height above #curb level# set forth in this Section. Above such specified maximum height and beyond the #initial setback distance#, the #building or other structure# shall not penetrate the #sky exposure plane# set forth in this Section. The regulations of this Section shall apply except as otherwise provided in Sections [33-42](#) (Permitted Obstructions), [33-44](#) (Alternate Front Setbacks), [33-45](#) (Tower Regulations), or [33-49](#) (Special Height Limitations), inclusive.

### 33-431 - In C1 or C2 Districts with bulk governed by surrounding Residence District

LAST AMENDED  
12/5/2024

C1-1 C1-2 C1-3 C1-4 C1-5 C2-1 C2-2 C2-3 C2-4 C2-5

In the districts indicated, the maximum height of a front wall and the required front setback of a #building or other structure# shall be determined by the #Residence District# within which such #Commercial District# is mapped and, except as otherwise set forth in this Section, shall be as set forth in the following table:

#### MAXIMUM HEIGHT OF FRONT WALL AND REQUIRED FRONT SETBACKS

#Initial Setback Distance# (in feet)		Maximum Height of a Front Wall or other portion of a #Building or Other Structure# within the #Initial Setback Distance#	#Sky Exposure Plane#				
			Height above the #Street Line# (in feet)	Slope over #Zoning Lot# (Expressed as a Ratio of Vertical Distance to Horizontal Distance)			
On #Narrow Street#	On #Wide Street#			On #Narrow Street#		On #Wide Street#	
			Vertical Distance	Horizontal Distance	Vertical Distance	Horizontal Distance	
Within R1, R2, R3, R4, R5, R5A or R5B Districts							

20	15	30 feet or two #stories#, whichever is less	30	1	to 1	1	to 1
Within R6 or R7 Districts							
20	15	60 feet or four #stories#, whichever is less	60	2.7	to 1	5.6	to 1
Within R8, R9, R10, R11 or R12 Districts							
20	15	85 feet or six #stories#, whichever is less	85	2.7	to 1	5.6	to 1

However, in accordance with the provisions of Section [32-42](#) (Location Within Buildings), no #commercial building# or portion thereof occupied by non-#residential uses# listed under Use Groups VI through X shall exceed in height 30 feet or two #stories#, whichever is less.

For #community facility buildings# or #buildings# used for both #community facility# #use# and #commercial# #use#, when mapped within R4, R5, R5A or R5B Districts, the maximum height of a front wall shall be 35 feet or three #stories#, whichever is less, and the height above #street line# shall be 35 feet and, when mapped within R7-2 Districts, the maximum height of a front wall shall be 60 feet or six #stories#, whichever is less.

In C1 or C2 Districts mapped within R1, R2 or R3 Districts in the Borough of Staten Island or in Community District 10 in the Bronx, for #buildings# containing ambulatory diagnostic or treatment health care facilities listed under Use Group III(B), or child care services, as listed under the definition of #school# in Section [12-10](#) (DEFINITIONS), the maximum height of a front wall or other portion of a #building# within the #initial setback distance# shall be 35 feet, or three #stories#, whichever is less. However, such increased height shall only be permitted beyond 20 feet of a #Residence District# boundary or beyond 20 feet of any portion of a #building# containing a #residential use# located in a #Commercial District#.

---

### **33-432 - In other Commercial Districts**

---

LAST AMENDED  
12/5/2024

C1-6 C1-7 C1-8 C1-9 C2-6 C2-7 C2-8 C3 C4 C5 C6 C8

In the districts indicated, the maximum height of a front wall and the required front setback of a #building or other structure#, except as otherwise set forth in this Section, shall be as set forth in the following table:

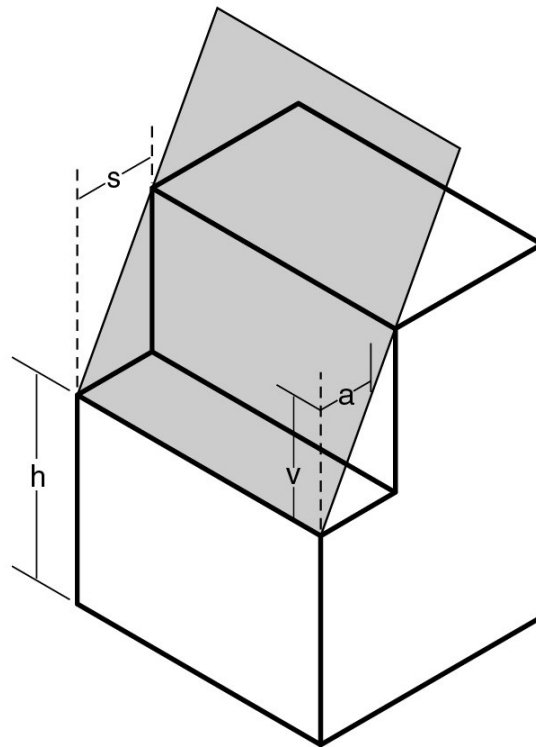
MAXIMUM HEIGHT OF FRONT WALL AND REQUIRED FRONT SETBACKS

#Initial Setback Distance# (in feet)		Maximum Height of a Front Wall or other portion of a #Building or Other Structure# within the #Initial Setback Distance#	#Sky Exposure Plane#				
			Height above the #Street Line# (in feet)	Slope over #Zoning Lot# (Expressed as a Ratio of Vertical Distance to Horizontal Distance)			
On #Narrow Street#	On #Wide Street#			On #Narrow Street#		On #Wide Street#	
			Vertical Distance	Horizontal Distance	Vertical Distance	Horizontal Distance	
Within C3 C4-1 C8-1 Districts							
20	15	30 feet or two #stories#, whichever is less	30	1	to 1	1	to 1
Within C1-6 C2-6 C4-2 C4-3 C4-4 C4-5 C8-2 C8-3 Districts							
20	15	60 feet or four #stories#, whichever is less	60	2.7	to 1	5.6	to 1
Within C1-7 C1-8 C1-9 C2-7 C2-8 C4-2F C4-6 C4-7 C4-8 C4-9 C4-11 C4-12 C5 C6 C8-4 Districts							
20	15	85 feet or six #stories#, whichever is less	85	2.7	to 1	5.6	to 1

However, in accordance with the provisions of Section [32-42](#) (Location within Buildings), in C1, C2 or C3 Districts, no #commercial building#, or portion thereof, occupied by non-#residential uses# listed under Use Groups VI through X shall exceed in height 30 feet or two #stories#, whichever is less.

In C4-1 or C8-1 Districts, for #community facility buildings# or #buildings# used for both #community facility# and #commercial# #use#, the maximum height of a front wall shall be 35 feet or three #stories#, whichever is less, and the height above #street line# shall be 35 feet.

In C1-6, C2-6, C4-4 or C4-5 Districts, for #community facility buildings# or #buildings# used for both #community facility# and #commercial# #use#, the maximum height of a front wall shall be 60 feet or six #stories#, whichever is less.



a - Horizontal distance

s - *Initial setback distance*

h - Height of *sky exposure plane*  
above *street line*

v - Vertical distance

 *Sky Exposure Plane*

#### SKY EXPOSURE PLANE IN OTHER COMMERCIAL DISTRICTS

(23 - 632, 24 - 522, 33 - 432, 43 - 43)

---

### **33-433 - Special height and setback regulations**

---

LAST AMENDED

12/5/2024

- (a) Within the boundaries of Community District 7 in the Borough of Manhattan, all #buildings or other structures# located in #Commercial Districts# with a #residential equivalent# of an R10 District without a letter suffix shall comply with the requirements of Section [23-43](#) (Height and Setback Requirements in R6 Through R12 Districts).
- (b) Within the boundaries of Community District 9 in the Borough of Manhattan, all #buildings# located in R8 Districts north of West 125th Street shall be #developed# or #enlarged# pursuant to paragraph (a)(1) of Section [23-442](#) (Special provisions for certain community districts).
- (c) In C1 or C2 Districts mapped within R5D Districts, all #buildings or other structures# shall comply with the applicable height and setback requirements of Section [23-42](#) (Height and Setback Requirements in R1 Through R5 Districts), inclusive.