



Zoning Resolution

THE CITY OF NEW YORK

Eric Adams, Mayor

CITY PLANNING COMMISSION

Daniel R. Garodnick, Chair

43-40 - HEIGHT AND SETBACK REGULATIONS

File generated by <https://zr.planning.nyc.gov> on 10/6/2024

43-40 - HEIGHT AND SETBACK REGULATIONS

LAST AMENDED
12/15/1961

43-41 - Definitions

LAST AMENDED
11/19/1987

Words in italics are defined in Section [12-10](#) (DEFINITIONS) or, if applicable exclusively to this Section, in this Section.

43-42 - Permitted Obstructions

†

LAST AMENDED
6/6/2024

In all #Manufacturing Districts#, the obstructions set forth in Section [23-621](#) (General permitted obstructions), as well as the following obstructions shall be permitted to penetrate a maximum height limit or a #sky exposure plane# set forth in Sections [43-43](#) (Maximum Height of Front Wall and Required Front Setbacks), [43-44](#) (Alternate Front Setbacks), [43-46](#) (Height and Setback Provisions for Districts With an A Suffix) or [43-49](#) (Limited Height Districts).

- (a) Elevator or stair bulkheads (including shafts; and vestibules not larger than 60 square feet in area providing access to a roof), roof water tanks, #energy infrastructure equipment#, and #accessory# mechanical equipment (including enclosures), other than solar or wind energy systems (whether #accessory# or as part of #energy infrastructure equipment#), provided that:
- (1) such obstructions shall be located not less than 10 feet from the #street wall# of a #building#, except that such obstructions need not be set back more than 25 feet from a #narrow# #street line# or more than 20 feet from a #wide# #street line#. However, such restrictions on location shall not apply to elevator or stair bulkheads (including shafts or vestibules), provided the #aggregate width of street walls# of such bulkheads within 10 feet of a #street wall#, facing each #street# frontage, does not exceed 30 percent of the #street wall# width of the #building# facing such frontage;
 - (2) the aggregate area of such obstructions, including any required screening, does not exceed 50 percent of the #lot coverage# of the #building#;
 - (3) the height of obstructions within an aggregate area equivalent to at least 20 percent of the #lot coverage# of the #building# shall not exceed 15 feet above the maximum permitted height; and
 - (4) the height of obstructions within the remaining #lot coverage#, not to exceed 30 percent of the #building# shall not exceed:
 - (i) where the maximum permitted height of a #building# is 120 feet or lower, a height of 35 feet above the maximum permitted height;
 - (ii) where the maximum permitted height of a #building# is greater than 120 feet, a height of 55 feet above the

maximum permitted height; and

- (5) all equipment shall be subject to the applicable provisions of Section [37-20](#) (SPECIAL SCREENING AND ENCLOSURE PROVISIONS);
- (b) House of worship towers, ornamental, having no #floor area# in portion of tower penetrating such height limit or #sky exposure plane#;
- (c) #Qualifying rooftop greenhouses#, up to 25 feet in height, provided that such obstruction shall be located not less than six feet from the #street wall# of the #building#;
- (d) Spires or belfries;
- (e) Wind energy systems, #accessory# or as part of #energy infrastructure equipment#, on portions of #buildings# with a height of 100 feet or greater, provided:
 - (1) the highest point of the wind turbine assembly does not exceed 55 feet;
 - (2) no portion of the wind turbine assembly is closer than 10 feet to any #lot line#; and
 - (3) in districts where #residences# or #joint living-work quarters for artists# are permitted as-of-right, by special permit or by authorization, or within 100 feet of such districts, the diameter of the swept area of the rotor does not exceed 15 feet.

43-43 - Maximum Height of Front Wall and Required Front Setbacks

LAST AMENDED
6/6/2024

M1 M2 M3

In all districts, other than districts with an A suffix, if the front wall or any other portion of a #building or other structure# is located at the #street line# or within the #initial setback distance# as set forth in the table in this Section, the height of such front wall or other portion of a #building or other structure#, except as otherwise set forth in this Section, shall not exceed the maximum height above #curb level# set forth in the table. Above such maximum height and beyond the #initial setback distance#, the #building or other structure# shall not penetrate the #sky exposure plane# set forth in the table.

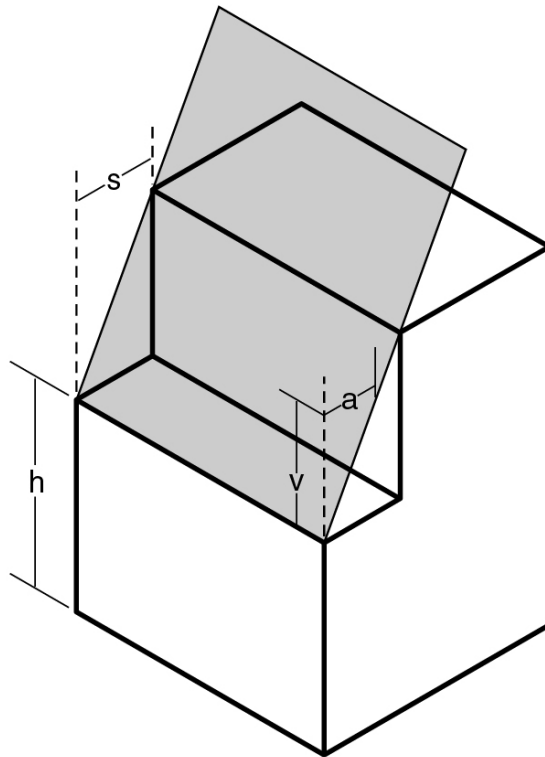
The regulations of this Section shall apply, except as otherwise provided in Sections [43-42](#) (Permitted Obstructions), [43-44](#) (Alternate Front Setbacks) or [43-45](#) (Tower Regulations). In M1-1 Districts, for #community facility buildings#, the maximum height of a front wall shall be 35 feet or three #stories#, whichever is less, and the height above the #street line# shall be 35 feet, and in M1-4 Districts, for #community facility buildings#, the maximum height of a front wall shall be 60 feet or six #stories#, whichever is less.

For #zoning lots# in M1-6 Districts that are both within 100 feet of the western #street line# of Seventh Avenue and between West 28th and West 30th Streets in the Borough of Manhattan, the following #street wall# regulations shall apply to #street# frontages not occupied by a #public plaza#. The #street wall# of a #building# shall be located on the #street line# and extend along the entire #street# frontage of the #zoning lot# up to a minimum height of 125 feet or the height of the #building#, whichever is less, and a maximum height of 150 feet. Above a height of 150 feet, no portion of a #building# may penetrate a #sky exposure plane# except for towers, pursuant to Section [43-45](#). The #sky exposure plane# shall begin at a height of 150 feet above the #street line# and rise over the #zoning lot# at a slope of 5.6 feet of vertical distance for each foot of horizontal distance on a #wide street#, and at a slope of 2.7 feet of vertical distance for each foot of horizontal distance on a #narrow street#. The

provisions of Section [43-44](#) shall not apply. On the ground floor, recesses shall be permitted where required to provide access to the #building#, provided such recesses do not exceed three feet in depth as measured from the #street line#. Above the level of the second #story#, up to 30 percent of the #aggregate width of street walls# may be recessed beyond the #street line#. However, no recesses shall be permitted within 20 feet of an adjacent #building# and within 30 feet of the intersection of two #street lines#.

MAXIMUM HEIGHT OF FRONT WALL AND REQUIRED FRONT SETBACKS

#Initial Setback Distance# (in feet)		Maximum Height of a Front Wall, or other Portion of a #Building or other structure# within the #Initial Setback Distance#	#Sky Exposure Plane#				
			Height above #Street Line# (in feet)	Slope over #Zoning Lot# (expressed as a ratio of vertical distance to horizontal distance)			
On #Narrow Street#				On #Wide street#			
Vertical Distance	Horizontal Distance			Vertical Distance	Horizontal Distance		
On #Narrow Street#	On #Wide Street#						
Within M1-1 Districts							
20	15	30 feet or 2 #stories#, whichever is less	30	1 to	1	1 to	1
Within M1-2, M1-4, M2-1, M2-3 or M3 Districts							
20	15	60 feet or 4 #stories#, whichever is less	60	2.7 to	1	5.6 to	1
Within M1-3, M1-5, M1-6, M2-2 or M2-4 Districts							
20	15	85 feet or 6 #stories#, whichever is less	85	2.7 to	1	5.6 to	1



a - Horizontal distance s - Initial setback distance
 h - Height of sky exposure plane above street line v - Vertical distance

 Sky Exposure Plane

SKY EXPOSURE PLANE

(23 - 641, 24 - 522, 33 - 432, 43 - 43)

43-44 - Alternate Front Setbacks

LAST AMENDED
 6/6/2024

M1 M2 M3

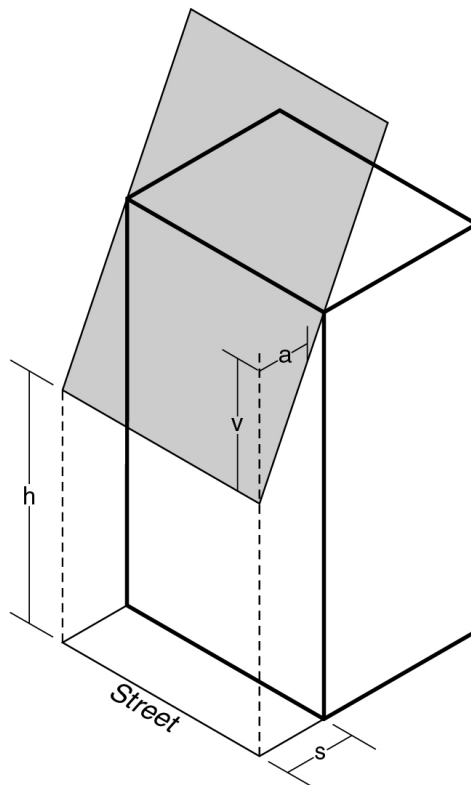
In all districts, other than districts with an A suffix, if an open area is provided along the full length of the #front lot line# with the minimum depth set forth in the following table, the provisions of Section [43-43](#) (Maximum Height of Front Wall and Required Front Setbacks) shall not apply. The minimum depth of such open area shall be measured perpendicular to the #front lot line#. However, in such instances, except as otherwise provided in this Section or in Sections [43-42](#) (Permitted Obstructions) or [43-45](#) (Tower Regulations), no #building or other structure# shall penetrate the alternate #sky exposure plane# set forth in the table in this Section. The #sky exposure plane# shall be measured from a point above the #street line#.

In an M1-6 District, if the open area provided under the terms of this Section is a #public plaza#, such open area may be counted toward the bonus provided for a #public plaza#, pursuant to Section [43-14](#) (Floor Area Bonus for Public Plazas and Arcades).

In M1-1 Districts, for #community facility buildings# the height above the #street line# shall be 35 feet.

ALTERNATE REQUIRED FRONT SETBACKS

Depth of Optional Front Open Area (in feet)		Alternate #Sky Exposure Plane#				
		Height above #Street Line# (in feet)	Slope over #Zoning Lot# (expressed as a ratio of vertical distance to horizontal distance)			
			On #Narrow Street#		On #Wide Street#	
On #Narrow Street#	On #Wide Street#		Vertical Distance	Horizontal Distance	Vertical Distance	Horizontal Distance
Within M1-1 Districts						
15	10	30	1.4 to	1	1.4 to	1
Within M1-2, M1-4, M2-1, M2-3 or M3 Districts						
15	10	60	3.7 to	1	7.6 to	1
Within M1-3, M1-5, M1-6, M2-2 or M2-4 Districts						
15	10	85	3.7 to	1	7.6 to	1



a - Horizontal distance
 h - Height of sky exposure plane above street line
 s - Depth of the optional front open area
 v - Vertical distance
 Sky Exposure Plane

ALTERNATE SKY EXPOSURE PLANE
 (23 - 64, 24 - 53, 33 - 442, 43 - 44)

43-45 - Tower Regulations

LAST AMENDED
 6/6/2024

M1-3 M1-4 M1-5 M1-6

In the districts indicated, other than districts with an A suffix, any #building# or #buildings#, or portion thereof, which in the aggregate occupy not more than 40 percent of the #lot area# of a #zoning lot# or, for #zoning lots# of less than 20,000 square feet, the percent set forth in Section [43-451](#) (Towers on small lots), may penetrate an established #sky exposure plane#. (Such #building# or portion thereof is hereinafter referred to as a tower.) At any given level, such tower may occupy any portion of the #zoning lot# not located less than 15 feet from the #street line# of a #narrow street#, or less than 10 feet from the #street line# of a #wide street#, provided that the aggregate area so occupied within 50 feet of a #narrow street# shall not exceed 1,875 square feet and the aggregate area so occupied within 40 feet of a #wide street# shall not exceed 1,600 square feet.

If all of the #buildings# on a #zoning lot# containing such tower do not occupy at any level more than the maximum percent of the #lot area# set forth in this Section or Section [43-451](#) for towers, the tower may occupy any portion of the #zoning lot# located 20 feet or more from the #street line# of a #narrow street# or 15 feet or more from the #street line# of a #wide street#, provided that the aggregate area so occupied within 50 feet of a #narrow street# shall not exceed 2,250 square feet and the aggregate area so occupied within 40 feet of a #wide street# shall not exceed 2,000 square feet.

43-451 - Towers on small lots

LAST AMENDED
12/15/1961

M1-3 M1-4 M1-5 M1-6

In the districts indicated, a tower may occupy the percent of the #lot area# of a #zoning lot# set forth in the following table:

LOT COVERAGE OF TOWERS ON SMALL ZONING LOTS

Area of #Zoning Lot# (in square feet)	Maximum Percent of #Lot Coverage#
10,500 or less	50
10,501 to 11,500	49
11,501 to 12,500	48
12,501 to 13,500	47
13,501 to 14,500	46
14,501 to 15,500	45
15,501 to 16,500	44
16,501 to 17,500	43
17,501 to 18,500	42
18,501 to 19,999	41

43-46 - Height and Setback Provisions for Districts With an A Suffix

LAST AMENDED
6/6/2024

For M Districts with an A suffix, a #building or other structure# shall not exceed the maximum base heights or maximum #building# height set forth in paragraph (a) of this Section. A setback is required for all portions or #buildings or other structures# that exceed the maximum base height specified in paragraph (a) and shall be provided in accordance with paragraph

(b). In districts without a maximum height limit, the tower provisions set forth in paragraph (c) shall apply.

(a) Maximum base heights and maximum #building# heights

The table below sets forth the maximum base heights and maximum #building or other structure# heights.

MAXIMUM BASE HEIGHT AND MAXIMUM BUILDING HEIGHT

District	Maximum Base Height (in feet)	Maximum Height of #Buildings or other Structures# (in feet)
M1-1A M2-1A M3-1A	45	65
M1-2A M2-2A M3-2A	65	95
M1-3A M2-3A	95	125
M1-4A M2-4A	125	155
M1-5A	155	205
M1-6A	155	245
M1-7A	155	325
M1-8A M1-9A	155	N/A

In addition, for #zoning lots# with a #lot area# greater than or equal to 20,000 square feet, a #building# may exceed the maximum building heights established in such table by 25 percent.

(b) Any portion of a #building# above the maximum base height shall provide a setback with a depth of at least 10 feet from any #street wall# fronting on a #wide street# and a depth of at least 15 feet from any #street wall# fronting on a #narrow street#. However, such setback requirement may be modified as follows:

- (1) the depth of such required setback may be reduced by one foot for every foot that the #street wall# is located beyond the #street line#, but in no event shall a setback of less than seven feet in depth be provided, except as otherwise set forth in this Section. To allow #street wall# articulation, where a #street wall# is divided into different segments and located at varying depths from the #street line#, such permitted setback reduction may be applied to each #street wall# portion separately;
- (2) the depth of such required setbacks may include the depth of recesses in the #street wall# of the #building# base, provided that the aggregate width of any such recessed portion of a #street wall# with a setback less than seven feet, does not exceed 30 percent of the #aggregate width of #street wall# at any level;
- (3) these setback provisions are optional for any #building# that either is located beyond 50 feet of a #street line# or oriented so that lines drawn perpendicular to it, in plan, would intersect a #street line# at an angle of 65 degrees or less. In the case of an irregular #street line#, the line connecting the most extreme points of intersection shall be deemed to be the #street line#; and
- (4) dormers may penetrate a required setback area, provided that the aggregate width of all dormers at the maximum base height does not exceed 40 percent of the width of the #street wall# of the highest #story# entirely below the maximum base height#. Such dormers need not decrease in width as the height above the maximum base height increases.

(c) Towers

For #buildings# in M1-8A and M1-9A Districts, no maximum height limit shall apply. However, any portion of a #building# above a height of 350 feet shall have a maximum #lot coverage# of 50 percent of the #lot area# of the #zoning lot#.

43-47 - Modification of Height and Setback Regulations

LAST AMENDED
6/6/2024

(a) For #zoning lots# adjoining #public parks#

M1 M2 M3

In all districts, as indicated, a #public park# with an area of between one and 15 acres shall be considered a #wide street# for the purpose of applying the height and setback regulations as set forth in Section [43-43](#) (Maximum Height of Front Wall and Required Front Setbacks) to any #building or other structure# on a #zoning lot# adjoining such #public park#. However, the provisions of this Section shall not apply to a #public park# more than 75 percent of which is paved.

(b) For #zoning lots# containing certain #community facility uses#

M1

In the district indicated, for certain #community facility# #uses# in specified situations, the Board of Standards and Appeals may modify the regulations set forth in Sections [43-41](#) to [43-45](#), inclusive, relating to Height and Setback Regulations, in accordance with the provisions of Section [73-64](#) (Modifications for Community Facility Uses).

43-48 - Special Provisions for Zoning Lots Divided by District Boundaries

LAST AMENDED
12/15/1961

M1 M2 M3

In all districts, as indicated, whenever a #zoning lot# is divided by a boundary between districts with different height and setback regulations, or whenever a #zoning lot# is divided by a boundary between a district to which the provisions of Section [43-45](#) (Tower Regulations) apply and a district to which such provisions do not apply, the provisions set forth in Article VII, Chapter 7 shall apply.

43-49 - Limited Height Districts

LAST AMENDED
3/4/1982

M1 M2 M3

In all districts, as indicated, wherever such districts are located within a #Limited Height District#, the maximum height of a

#building or other structure#, or portion thereof, shall be as shown in the following table:

#Limited Height District#	Maximum Height above #Curb Level#
LH-1	50 feet
LH-1A	60 feet
LH-2	70 feet
LH-3	100 feet