



## Zoning Resolution

THE CITY OF NEW YORK

Eric Adams, Mayor

CITY PLANNING COMMISSION

Daniel R. Garodnick, Chair

# **95-033 - Location of transit easements**

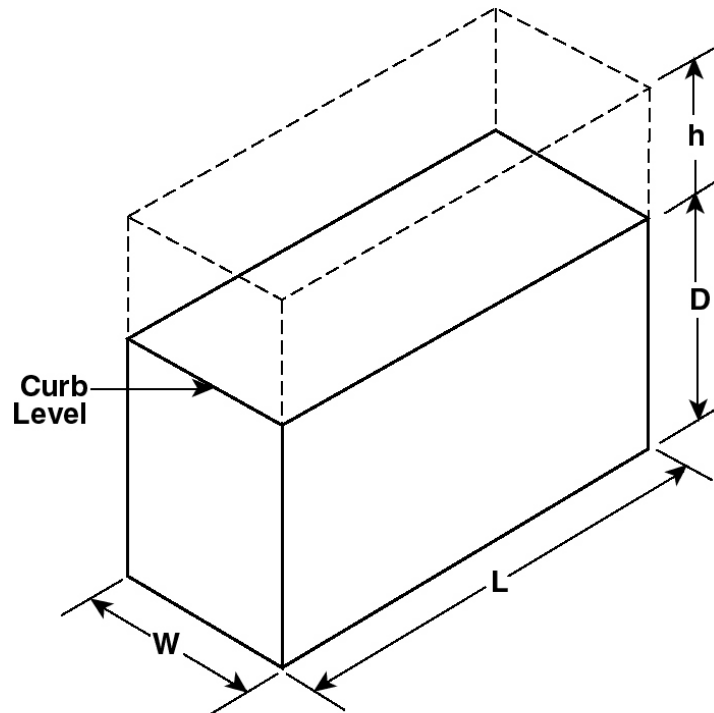
File generated by <https://zr.planning.nyc.gov> on 12/16/2024

## 95-033 - Location of transit easements

LAST AMENDED

11/30/2017

The transit easement volume may be located within a #building#, in open areas, including #public plazas#, or in areas covered by projected overhangs of a #building#. At least one vertical face of the easement volume shall be at a #front lot line#. The easement volume shall be located on the #zoning lot# as close as possible to the #street# containing the transit line.



**h** – Height above curb level

**D** – Depth below curb level

**L** – Length

**W** – Width

TRANSIT EASEMENT VOLUME

([95-032](#))